



DAL•BO - Spare parts - Reservedele - Pieces - Refacciones

MINIMAX XL 1230 - NO. 25030

SPAREPARTS Minimax XL 1230 25030 SERIE 55045-55739.cdr

DK Reservedelsliste for hydraulisk sammenklappelig trommel, type **MINIMAX XL 1230**.

*Husk ved reservedelsbestilling at opgive aggregatets type og ordrenummer.

D Ersatzteilliste für Hydraulisch klappbare Walzen, Typ **MINIMAX XL 1230**.

*Bei Bestellung, immer Typ und Auftragsnummer.

GB Spare part list for hydr. folding roller type **COMPACT XL 1230**.

*When ordering spare parts, always state actual type and order number.





DAL•BO - Spare parts - Reservedele - Pieces - Refacciones

MINIMAX XL 1230 - NO. 25030

SPAREPARTS Minimax XL 1230 25030 SERIE 55045-55739.cdr



For deres sikkerhed samt for funktionsdygtigheden af deres maskine, bør der kun anvendes originale Dal-Bo reservedele til deres maskine.

Når de bestiller reservedele bør de altid informere om:

- Reservedelsnummer
- Maskinens typenummer
- Antal styk af reservedelen



Zu Ihrer Sicherheit und zur einwandfreien Funktion ihres Gerätes sollten sie unbedingt nur original Dal-Bo Ersatzteile verwenden.

Wenn sie Ersatzteile bestellen bitte folgendes beachten:

- Ersatzteil-Nummer
- Geräte-Nummer und -typ
- Anzahl der Ersatzteile



For your safety and for the functions of the mashing, you should only use original spare parts for m Dal-Bo. When you order spare parts, you should always inform about:

- Spare part number
- The mashing type number
- Amount of spare parts pieces



Pour votre sécurité et pour les fonctions du matériel, vous devez utiliser uniquement des pièces détachées d'origine Dal-Bo.

Lorsque vous commandez vos pièces détachées, vous devez toujours nous indiquer :

- Le numéro de la pièce
- Le type de la machine
- La quantité des pièces détachées.



DAL•BO - Spare parts - Reservedele - Pieces - Refacciones

MINIMAX XL 1230 - NO. 25030

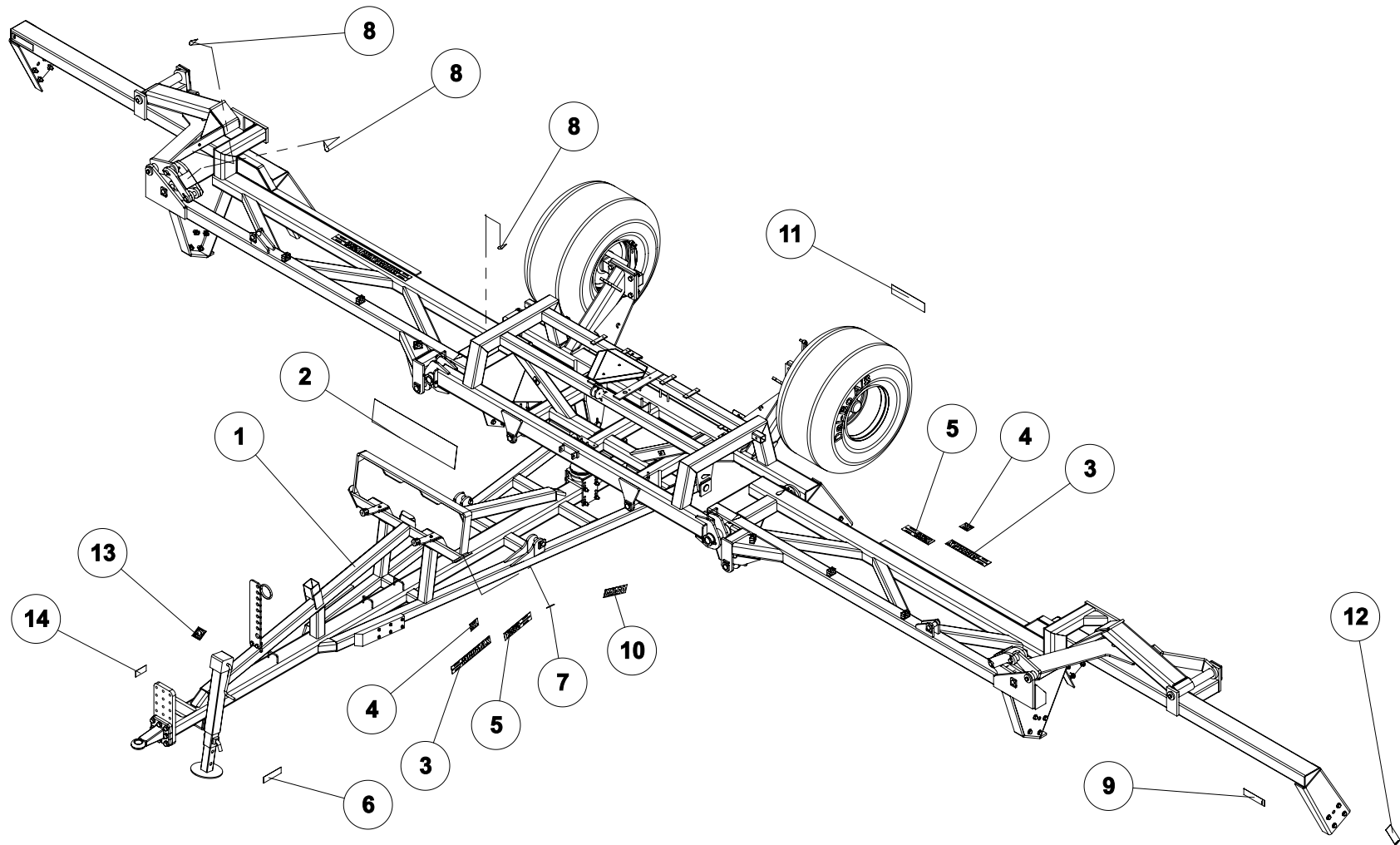
SPAREPARTS Minimax XL 1230 25030 SERIE 55045-55739.cdr



DAL·BO - Spare parts - Reservedele - Pieces - Refacciones

MINIMAX XL 1230 - NO. 25030

SPAREPARTS Minimax XL 1230 25030 SERIE 55045-55739.cdr





DAL•BO - Spare parts - Reservedele - Pieces - Refacciones

MINIMAX XL 1230 - NO. 25030

SPAREPARTS Minimax XL 1230 25030 SERIE 55045-55739.cdr

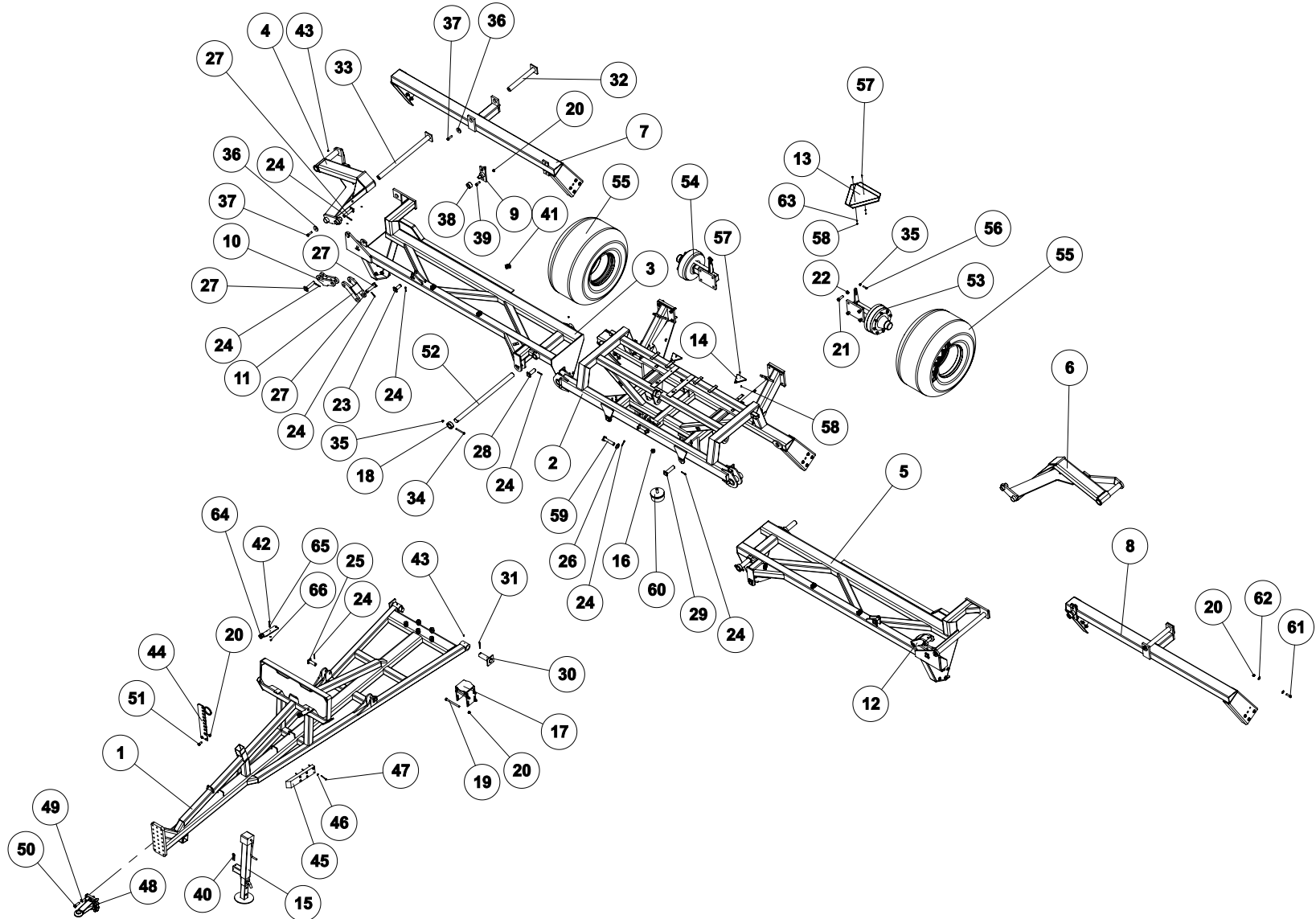
| Pos. | Qty. | Part nr. | Benævnelse | Bezeichnung | Description | Designation |
|------|------|----------|------------------------------------|-------------|----------------------|-------------------------|
| 1 | 1 | 25089 | 1230X60CM MINIMAX XL U/GODS/AKSLER | MINIMAX | MINIMAX | MINIMAX |
| 2 | 1 | 90867 | TRANSFER "BRUGERVEJLEDNING UDKLAP" | TRANSFER | TRANSFER | TRANSFERT |
| 3 | 4 | 90937 | TRANSFER "STREGER + MINIMAX" | TRANSFER | TRANSFER | TRANSFERT |
| 4 | 4 | 78427 | TRANSFER "XL" | TRANSFER | TRANSFER | TRANSFERT |
| 5 | 4 | 90987 | TRANSFER "1230 + STREGER" | TRANSFER | TRANSFER | TRANSFERT |
| 6 | 1 | 90956 | EFTERSPÆNDING AF MØTRIKKER | TRANSFER | TRANSFER | TRANSFERT |
| 7 | 2 | 91147 | TRANSFER "KLEMFARE" | TRANSFER | TRANSFER | TRANSFERT |
| 8 | 12 | 90925 | TRANSFER "SMØRING - 8 HR" | TRANSFER | TRANSFER | TRANSFERT |
| 9 | 2 | 90922 | REFLEX JRU 10 19 HVID | REFLEX | REFLEX | REFLET |
| 10 | 2 | 90907 | TRANSFER "DALBO" | TRANSFER | TRANSFER | TRANSFERT |
| 11 | 1 | 90905 | TRANSFER "DAL-BO" | TRANSFER | TRANSFER | TRANSFERT |
| 12 | 2 | 90921 | REFLEX JRU 10 18 GUL | REFLEX | REFLEX | REFLET |
| 13 | 1 | 90906 | TRANSFER "LOGO" | TRANSFER | TRANSFER | TRANSFERT |
| 14 | 1 | 90910 | TYPESKILT | TYPENSCHILD | IDENTIFICATION PLATE | PLAQUE D'IDENTIFICATION |



DAL•BO - Spare parts - Reservedele - Pieces - Refacciones

MINIMAX XL 1230 - NO. 25089

SPAREPARTS Minimax XL 1230 25030 SERIE 55045-55739.cdr





DAL•BO - Spare parts - Reservedele - Pieces - Refacciones

MINIMAX XL 1230 - NO. 25089

SPAREPARTS Minimax XL 1230 25030 SERIE 55045-55739.cdr

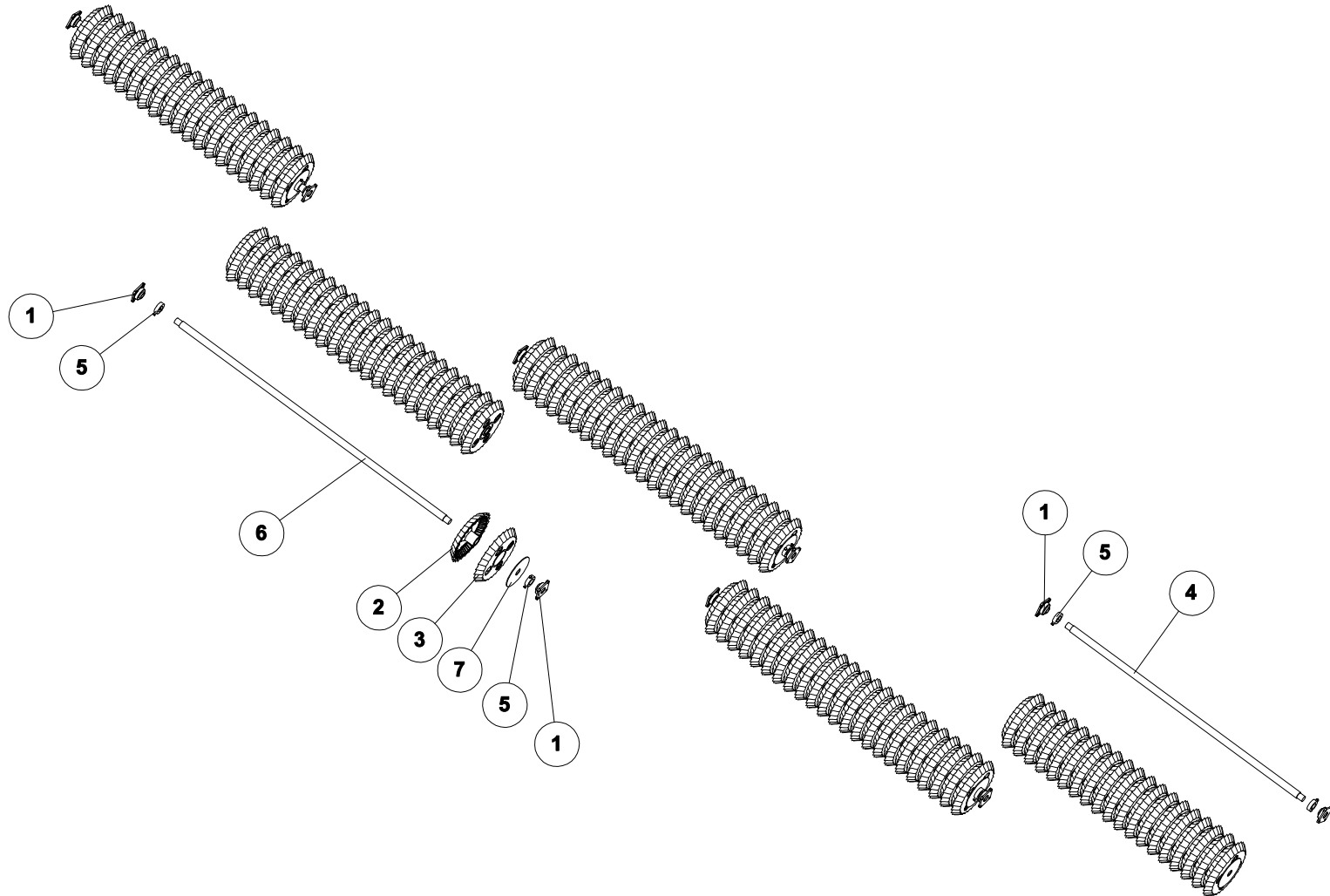
| Pos. | Qty. | Part nr. | Benævnelse | Bezeichnung | Description | Designation |
|------|------|----------|---------------------------------------|--------------------------|--------------------|---------------------------------------|
| 1 | 1 | 25286 | TRÆK 1230X60 CM MINIMAX XL | ZUG | DRAWBAR | ATTELAGE |
| 2 | 1 | 25271 | MIDTERSEKTION 1230 MINIMAX XL | MITTLERE SEKTION | MIDDLE SECTION | SECTION CENTRALE |
| 3 | 1 | 25272 | MELLEM HØJRE SIDESEKTION | SEITENSEKTION RECHTS | SIDE SEKTION RIGHT | SECTION LATÉRALE DROITE |
| 4 | 1 | 25310 | MELLEMLED HØJRE 1230CM | RAHME, RECHTS | FRAME, RIGHT | CADRE, DROITE |
| 5 | 1 | 25273 | MELLEM VENSTRE SIDESEKTION | SEITENSEKTION LINKS | SIDE SEKTION LEFT | SECTION LATÉRALE GAUCHE. |
| 6 | 1 | 25311 | MELLEMLED VENSTRE 1230CM | RAHME, LINKS | FRAME, LEFT | CADRE, GAUCHE |
| 7 | 1 | 25284 | YDERST HØJRE SIDESEKTION | SEITENSEKTION RECHTS | SIDE SEKTION RIGHT | SECTION LATÉRALE DROITE |
| 8 | 1 | 25285 | YDERST VENSTRE SIDESEKTION | SEITENSEKTION LINKS | SIDE SEKTION LEFT | SECTION LATÉRALE GAUCHE. |
| 9 | 2 | 25325 | TAP TIL LEJE | WELLE | SHAFT | ARBRE |
| 10 | 2 | 25320 | VIPPEARM NEDERSTE 1230CM | WIPPARM | ROCKER ARM | BRAS BASCULANTE |
| 11 | 1 | 25321 | VIPPEARM ØVERSTE HØJRE 1230CM | WIPPARM | ROCKER ARM | BRAS BASCULANTE |
| 12 | 1 | 25322 | VIPPEARME ØVERSTE VENSTRE 1230CM | WIPPARM | ROCKER ARM | BRAS BASCULANTE |
| 13 | 1 | 34213 | ADVARSLSREFLEKS - STOR | WARN DREIECK | WARNING TRIANGLE | ECRITEAU AVERTISSEUR |
| 14 | 2 | 90923 | REFLEX RØD JUR 472 PLAST | REFLEX | REFLEX | REFLET |
| 15 | 1 | 90557 | STØTTEBEN 2500 KG M. UDVEKSLING | STÜTZFUSS | JACK | BÉQUILLE |
| 16 | 1 | 92033 | MØTRIK M24, GALV. KV. 8.8 | MUTTER | NUT | ÉCROU |
| 17 | 1 | 25499 | STOP FOR GUMMIKLODS KPL. | STOP | STOP | ARRÊT |
| 18 | 2 | 25607 | BØSNING TIL NAGLE MIDTERSEKTION | BUCHSE | BUSHING | DOUILLE |
| 19 | 4 | 92332 | BOLT 16x200 MM 8.8 GALV. | SCHRAUBE | SCREW | BOULON |
| 20 | 50 | 92051 | MØTRIK M16, SELVLAS, GALV. KV. 8.8 | MUTTER | NUT | ÉCROU |
| 21 | 8 | 92342 | BOLT M20X70 MM 8.8 GALV. | SCHRAUBE | SCREW | BOULON |
| 22 | 8 | 92052 | MØTRIK M20, SELVLAS, GALV. KV. 8.8 | MUTTER SELBSTGESICHERT | SELF-LOCKING NUT | ÉCROU DE SÉCURITÉ |
| 23 | 2 | 25450 | NAGLE F Ø30X70(98) | AXE | PIN | BOLZEN |
| 24 | 16 | 90677 | SPLIT 8X50 MM GALV. | SPLINT | SPLIT PIN | GOUPILLE. |
| 25 | 2 | 71384 | NAGLE F Ø30X80(108) | BOLZEN | PIN | AXE |
| 26 | 2 | 90662 | SKIVE Ø31+Ø62-2.5 | UNTERLEGSCHIBE | WASHER | RONDELLE DE SERRAGE |
| 27 | 6 | 25452 | NAGLE F Ø30X120(148) | BOLZEN | PIN | AXE |
| 28 | 2 | 37362 | NAGLE F Ø35X85 (113) | BOLZEN | PIN | AXE |
| 29 | 2 | 72286 | NAGLE F Ø35X120(148) | BOLZEN | PIN | AXE |
| 30 | 2 | 25460 | NAGLE F Ø50X140 (170) | BOLZEN | PIN | AXE |
| 31 | 2 | 90678 | SPLIT Ø8X71MM GALV. | SPLINTE | SPLIT PIN | GOUPILLE. |
| 32 | 2 | 25461 | NAGLE F Ø50X428 MM SV | BOLZEN | PIN | AXE |
| 33 | 2 | 25462 | NAGLE F Ø50X858 MM | BOLZEN | PIN | AXE |
| 34 | 2 | 92304 | BOLT 12x120 8.8 GALV. | SCHRAUBE | SCREW | BOULON |
| 35 | 4 | 92050 | MØTRIK M12, SELVLAS, GALV. KV. 8.8 | MUTTER SELBSTSCHLIESSEND | SELFLOCKING NUT | ÉCROU DE SÉCURITÉ |
| 36 | 4 | 71570 | SKIVE Ø17,5-Ø61-10 | SCHIBE | WASHER | RONDELLE |
| 37 | 4 | 92424 | BOLT 16X60 MM 8.8 GALV. | SCHRAUBE | SCREW | BOULON |
| 38 | 2 | 25390 | NYLONLEJE TIL YDERVINGE | LAGER | BEARING | FIXATION |
| 39 | 4 | 92317 | BOLT 16X50 MM 8.8 GALV. | SCHRAUBE | SCREW | BOULON |
| 40 | 1 | 90676 | HÅRNAL Ø7 X 165 | SPLINT | HAIRPIN | GOUPILLE |
| 41 | 6 | 91309 | PLASTKLAMME, BOLT, DÆKPLADE 3/8" KPL. | PLASTIK KLAMMER | PLASTIC HOSE CLAMP | CROCHET EN PLASTIQUE |
| 42 | 4 | 92264 | BOLT M8X40, M/SKAFT GALV. KV. 8.8 | SCHRAUBE | SCREW | BOULON |
| 43 | 12 | 90721 | SMØRENIPPEL LIGE M8x1MM | SCHMIERNIPPEL | GREASE NIPPLE | GRAISSEUR |
| 44 | 1 | 33242 | SLANGEHOLDER | SCHLAUCHHALTER | HOSE CLAMP | SUPPORT DE TUYAU |
| 45 | 2 | 37685 | GØDS HVILER STÅLTROMLE | STÜTZE | SUPPORT | FIXATION |
| 46 | 12 | 90668 | SKIVE Ø10,5Ø20X2 MM | UNTERLEGSCHIBE | WASHER | RONDELLE DE SERRAGE |
| 47 | 12 | 92265 | BOLT M8X80, M/SKAFT GALV. KV. 8.8 | SCHRAUBE | SCREW | BOULON |
| 48 | 1 | 25235 | SCHARMÜLLER HITCH - 3000 KG | ZUG | DRAWBAR EYE | CROCHET D'ATTELAGE |
| 49 | 8 | 90671 | SKIVE Ø21+Ø37-3 | UNTERLEGSCHIBE | WASHER | RONDELLE DE SERRAGE |
| 50 | 8 | 92334 | BOLT 20x60 8.8 GALV. | SCHRAUBE | SCREW | BOULON |
| 51 | 2 | 92316 | BOLT M16x40 MM 8.8 GALV. | SCHRAUBE | SET SCREW | BOULON |
| 52 | 2 | 25642 | NAGLE U Ø 50 X 950 (975) | BOLZEN | PIN | AXE |
| 53 | 1 | 25223 | BREMSENAV VENSTRE KPL. | BREMSENABE LINKS | BRAKE HUB LEFT | MOYEU DE FREIN/GOUPILLE GAUCHE |
| 54 | 1 | 25224 | BREMSENAV HØJRE KPL. | BREMSENABE RECHTS | BRAKE HUB RIGHT | MOYEU DE FREIN/GOUPILLE GAUCHE DROITE |
| 55 | 2 | 25264 | HJUL KPL. 520/50-17 - TWIN | RAD | WHEEL | ROUE |
| 56 | 2 | 92297 | BOLT 12x50 8.8 GALV. | SCHRAUBE | SCREW | BOULON |
| 57 | 6 | 92249 | SKRUE M6X25, PH TORX GALV. KV. 8.8 | SCHRAUBE | SCREW | BOULON |
| 58 | 6 | 92027 | MØTRIK M6, GALV. KV. 8.8 | MUTTER | NUT | ÉCROU |
| 59 | 2 | 71387 | NAGLE F Ø30X130(158) | BOLZEN | PIN | AXE |
| 60 | 1 | 85430 | GUMMIDØMPER 148X60, M24 | GUMMIKLOTZ | RUBBER BLOCK | BLOC EN CAOUTCHOUC |
| 61 | 40 | 92314 | BOLT 16X55 MM 8.8 GALV. | SCHRAUBE | SCREW | BOULON |
| 62 | 80 | 90663 | SKIVE Ø17Ø35X2 MM | SCHIBE | WASHER | RONDELLE |
| 63 | 6 | 90630 | SKIVE M6 - Ø12,5Ø16,4X16 GALV. | UNTERLEGSCHIBE | WASHER | RONDELLE DE SERRAGE |
| 64 | 2 | 25446 | HYDRAULIKBLOK | HYDR. BLOCK | HYDRAULIC BLOCK | BLOC HYDRAULIQUE |
| 65 | 8 | 90631 | SP.SKIVE M8 Ø8,5Ø30X150 GLV. | UNTERLEGSCHIBE | WASHER | RONDELLE DE SERRAGE |
| 66 | 4 | 92048 | MØTRIK M8, SELVLAS, GALV. KV. 8.8 | MUTTER | NUT | ÉCROU |



DAL•BO - Spare parts - Reservedele - Pieces - Refacciones

MINIMAX XL 1230 - NO. 25336 (CROSS COMBI)

SPAREPARTS Minimax XL 1230 25030 SERIE 55045-55739.cdr





DAL•BO - Spare parts - Reservedele - Pieces - Refacciones

MINIMAX XL 1230 - NO. 25336 (CROSS COMBI)

SPAREPARTS Minimax XL 1230 25030 SERIE 55045-55739.cdr

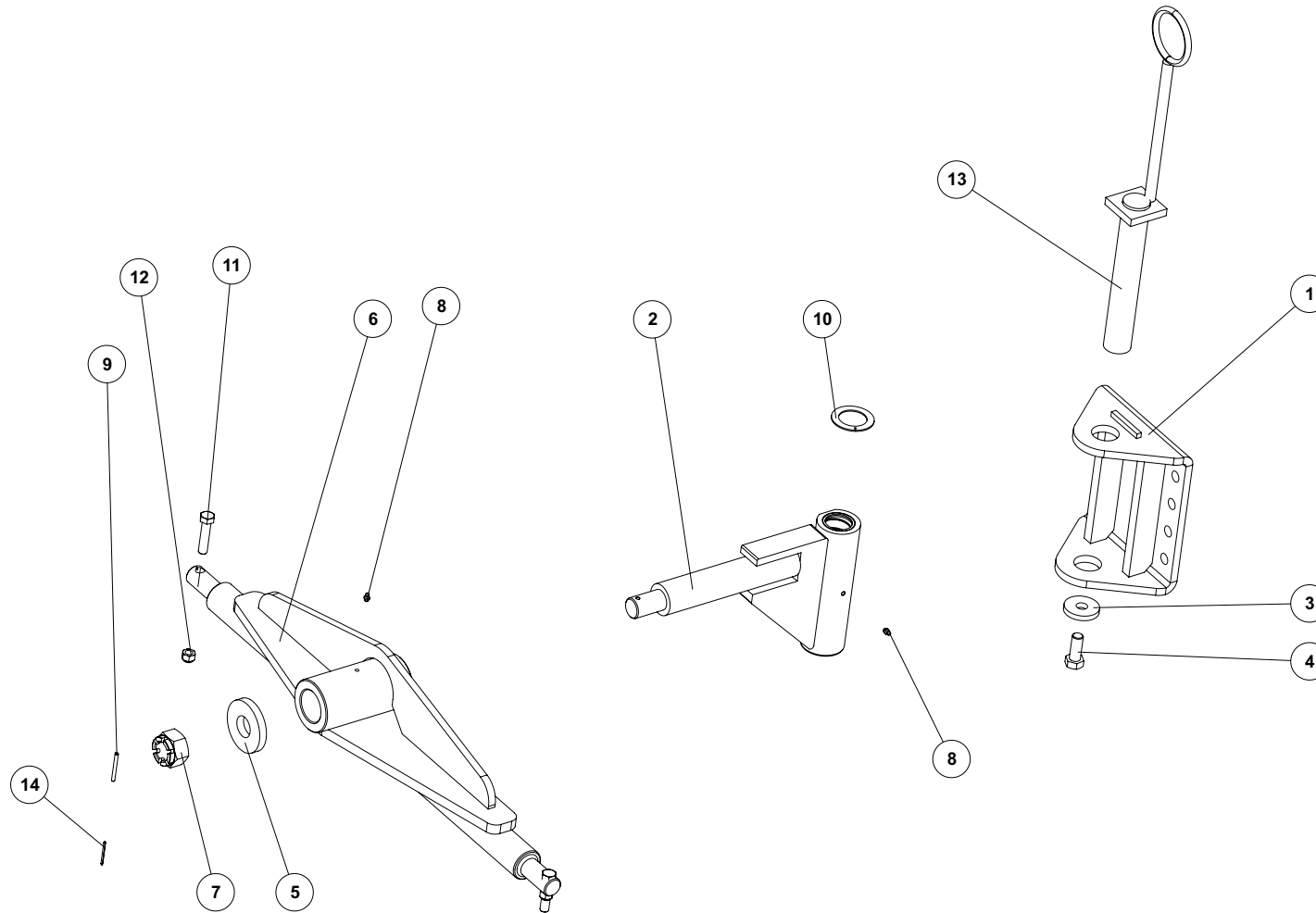
| Pos. | Qty. | Part nr. | Benævnelse | Bezeichnung | Description | Designation |
|------|------|----------|------------------------------------|-----------------------|--------------------|-------------------------|
| 1 | 10 | 12437 | FLANGELEJE Ø50 UCF 210 50 MFTRL | KOMPLETTES Y-LAGER | COMPLETE Y-BEARING | PALIER-Y COMPLET |
| 2 | 107 | 18160 | CROSS-COMBI Ø500 MM | CROSS-COMBI RING | CROSS-COMBI RING | ANNEAU CROSS-COMBI |
| 3 | 107 | 18161 | CROSS-COMBI Ø550 MM | CROSS-COMBI RING | CROSS-COMBI RING | ANNEAU CROSS-COMBI |
| 4 | 2 | 25380 | AKSEL Ø60 L=2540 CRM04V NEDDR.L=54 | WELLE | SHAFT | ARBRE |
| 5 | 10 | 12334 | STOPRING Ø 60 KPL. | ANSCHLAGRING | STOP BUSHING | BAGUE D'ARRÊT |
| 6 | 3 | 23386 | AKSEL Ø60X2940 | WELLE | SHAFT | ARBRE |
| 7 | 5 | 56480 | SKIVE TIL CROSSKILL | SCHEIBE DES CROSSKILL | WASHER, CROSSKILL | RONDELLE POUR CROSSKILL |



DAL•BO - Spare parts - Reservedele - Pieces - Refacciones

MINIMAX XL 1230 - NO. 25270

SPAREPARTS Minimax XL 1230 25030 SERIE 55045-55739.cdr





DAL·BO - Spare parts - Reservedele - Pieces - Refacciones

MINIMAX XL 1230 - NO. 25270

SPAREPARTS Minimax XL 1230 25030 SERIE 55045-55739.cdr

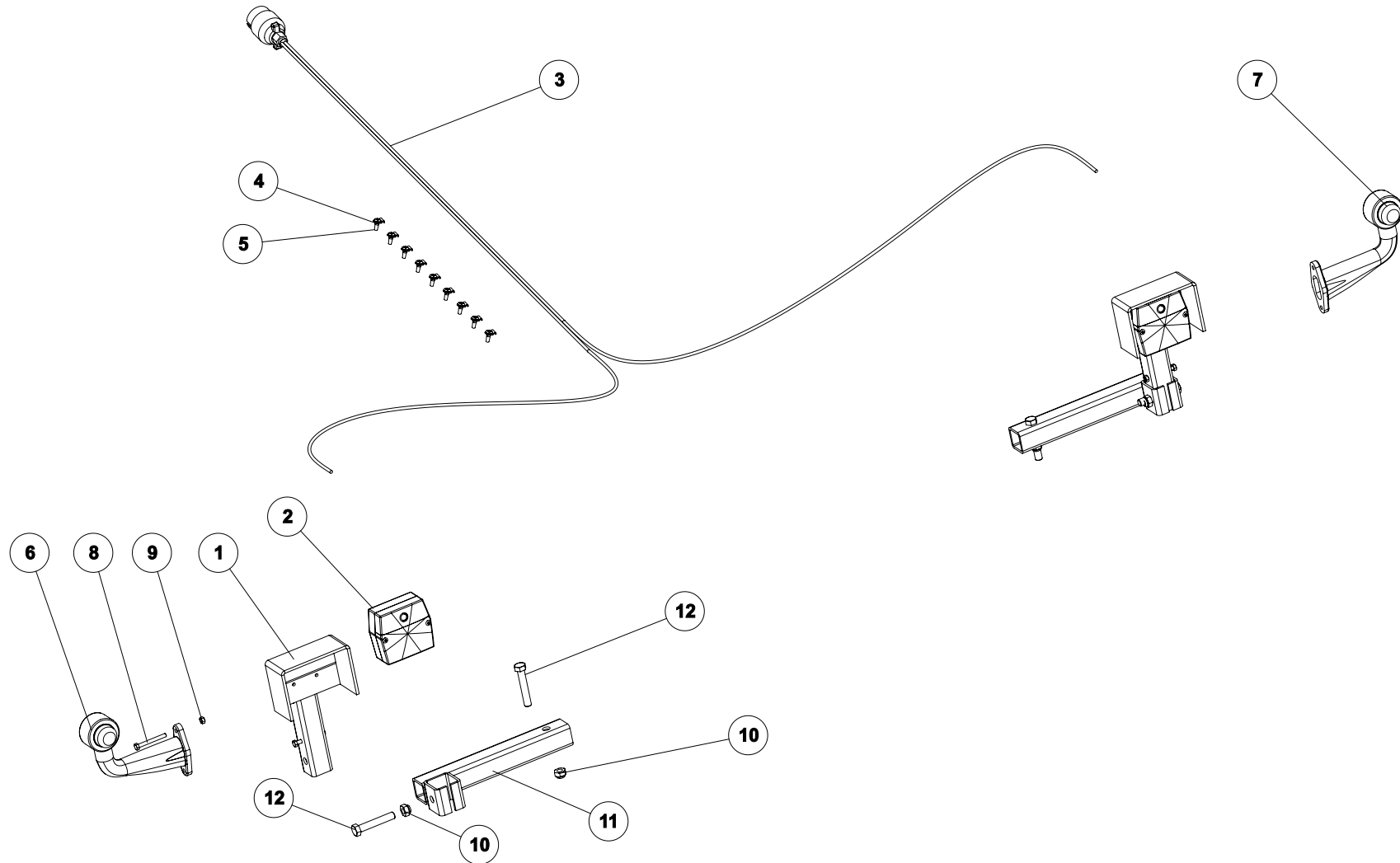
| Pos. | Qty. | Part nr. | Benævnelse | Bezeichnung | Description | Designation |
|------|------|----------|--|-----------------------------|-----------------------|--|
| 1 | 1 | 25262 | FLANGE TIL TRÆK KPL. | FLANSCHEN | FLANGE | AILE |
| 2 | 1 | 74272 | TRÆK NAV | ZUG | DRAWBAR HUB | ATTELAGE |
| 3 | 1 | 74529 | SKIVE Ø21-Ø69-10 | UNTERLEGSCHIBE | WASHER | RONDELLE DE SERRAGE |
| 4 | 1 | 92335 | BOLT 20x50 8.8 GALV. (SÆTBOLT) | SCHRAUBE | SET SCREW | BOULON |
| 5 | 1 | 71380 | SKIVE Ø41-Ø100-15 | SCHEIBE | WASHER | RONDELLE |
| 6 | 1 | 74274 | TRÆK KAT. 3 AXR-H | ZUG | DRAWBAR | ATTELAGE |
| 7 | 1 | 72384 | KRONEMØTRIK M39X3, NV 60 GALV. KV. 8.8 | ACHSENMUTTER | SHAFT NUT | ÉCROU D'ARBRE |
| 8 | 2 | 90721 | SMØRENIPPEL LIGE M8x1MM | SCHMIERNIPPEL | GREASE NIPPLE | GRAISSEUR |
| 9 | 1 | 90688 | RØRSTIFT Ø 6X60 MM | ROHRSTIFT | SPLIT PIN | AXE TUBULAIRE |
| 10 | 2 | 71251 | FORSMURT TRYKSKIVE - Ø78/Ø52/2,6MM | VORGESCHMIERTE DRUCKSCHEIBE | GREASED THRUST WASHER | RONDELLE DE PRESSION LUBRIFIÉE D'USINE |
| 11 | 2 | 92319 | BOLT 16X70 MM 8.8 GALV. | SCHRAUBE | SCREW | BOULON |
| 12 | 2 | 92051 | MØTRIK M16, SELVLÅS. GALV. KV. 8.8 | MUTTER | NUT | ÉCROU |
| 13 | 1 | 74304 | NAGLE F Ø50X298 | BOLZEN | PIN | AXE |
| 14 | 1 | 90689 | RØRSTIFT Ø3,5X50 | ROHRSTIFT | SPLIT PIN | AXE TUBULAIRE |



DAL•BO - Spare parts - Reservedele - Pieces - Refacciones

MINIMAX XL 1230 - NO. 25186

SPAREPARTS Minimax XL 1230 25030 SERIE 55045-55739.cdr





DAL•BO - Spare parts - Reservedele - Pieces - Refacciones

MINIMAX XL 1230 - NO. 25186

SPAREPARTS Minimax XL 1230 25030 SERIE 55045-55739.cdr

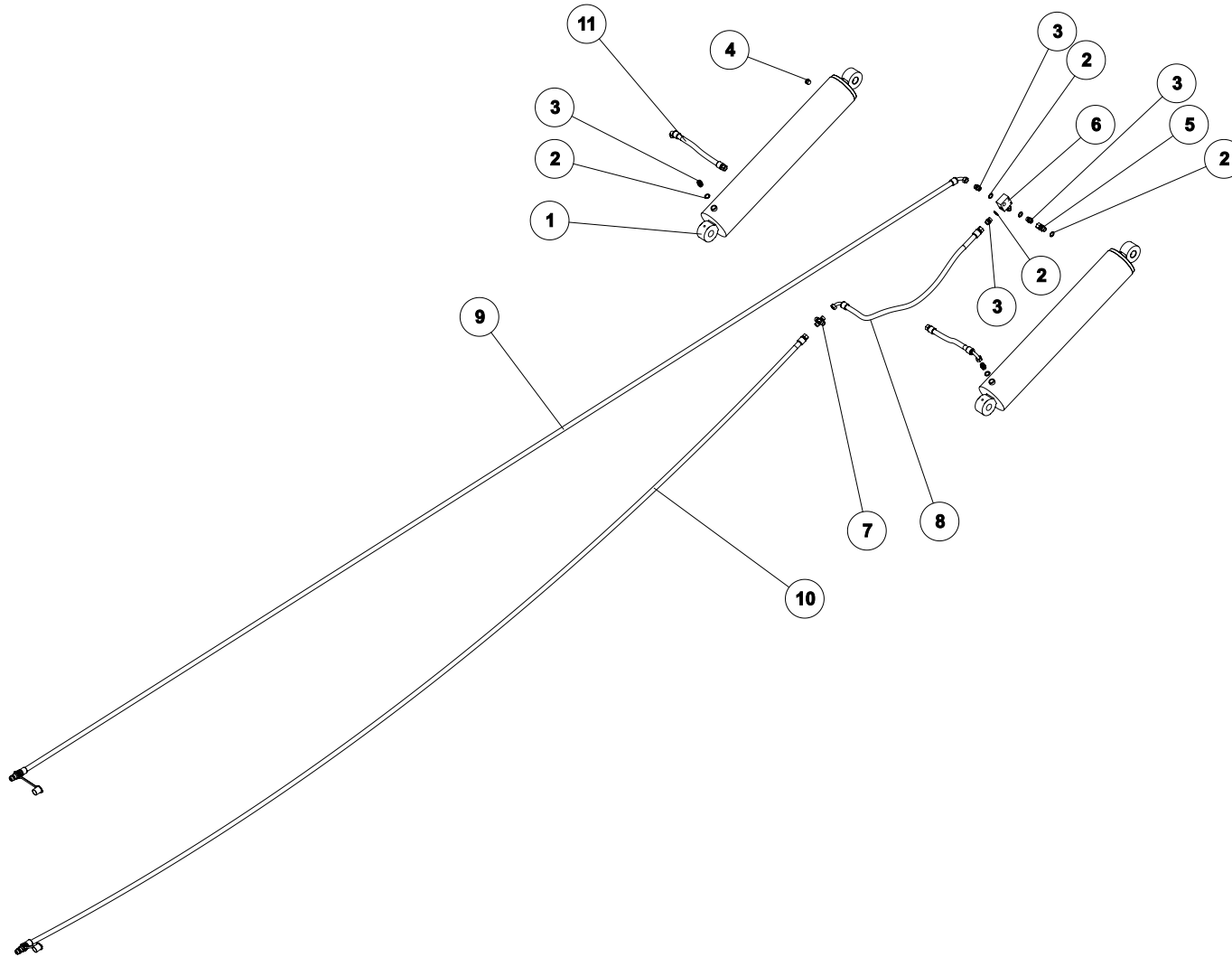
| Pos. | Qty. | Part nr. | Benævnelse | Bezeichnung | Description |
|------|------|----------|--------------------------------------|--------------------------|--|
| 1 | 2 | 71454 | LYGTESTANDER FÆLLES | LEUCHTSTÄNDER | LIGHT STAND |
| 2 | 2 | 89400 | BAGLYGTE MINIPPOINT U/NR.PL.LYS | RÜCKLICHT | MINIPOINT BACKLIGHTS W/OUT LICENSE PLATE LIGHT |
| 3 | 1 | 89431 | KABELSÆT 2x9M - 7-POL STIK | KABELSATZ | CABLE ASSEMBLY |
| 4 | 9 | 88146 | KABELBØJLER 5 mm | KABELHALTER | CABLE BRACKET |
| 5 | 9 | 92401 | GALOPSKRUE PZD. L/H 4.8 x 16 | TAPTITE | TAPTITE |
| 6 | 1 | 89415 | MARKERINGSLYS VENSTRE 0,25M, BAJONET | LEUCHTE LINKS | MARKING LIGHTS, LEFT |
| 7 | 1 | 89416 | MARKERINGSLYS HØJRE 0,25M, BAJONET | LEUCHTE RECHTS | MARKING LIGHTS, RIGHT |
| 8 | 4 | 92253 | BOLT M6X55, U/SKAFT GALV. KV. 8.8 | SCHRAUBE | SCREW |
| 9 | 4 | 92027 | MØTRIK M6, GALV. KV. 8.8 | MUTTER | NUT |
| 10 | 4 | 92050 | MØTRIK M12, SELVLÅS. GALV. KV. 8.8 | MUTTER SELBSTSCHLIESSEND | SELFLOCKING NUT |
| 11 | 2 | 25365 | ARM F/LYS T/MINIMAX 1230 | ARM | ARM |
| 12 | 4 | 92299 | BOLT 12x70 8.8 GALV. | SCHRAUBE | SCREW |



DAL·BO - Spare parts - Reservedele - Pieces - Refacciones

MINIMAX XL 1230 - NO. 25381

SPAREPARTS Minimax XL 1230 25030 SERIE 55045-55739.cdr





DAL•BO - Spare parts - Reservedele - Pieces - Refacciones

MINIMAX XL 1230 - NO. 25381

SPAREPARTS Minimax XL 1230 25030 SERIE 55045-55739.cdr

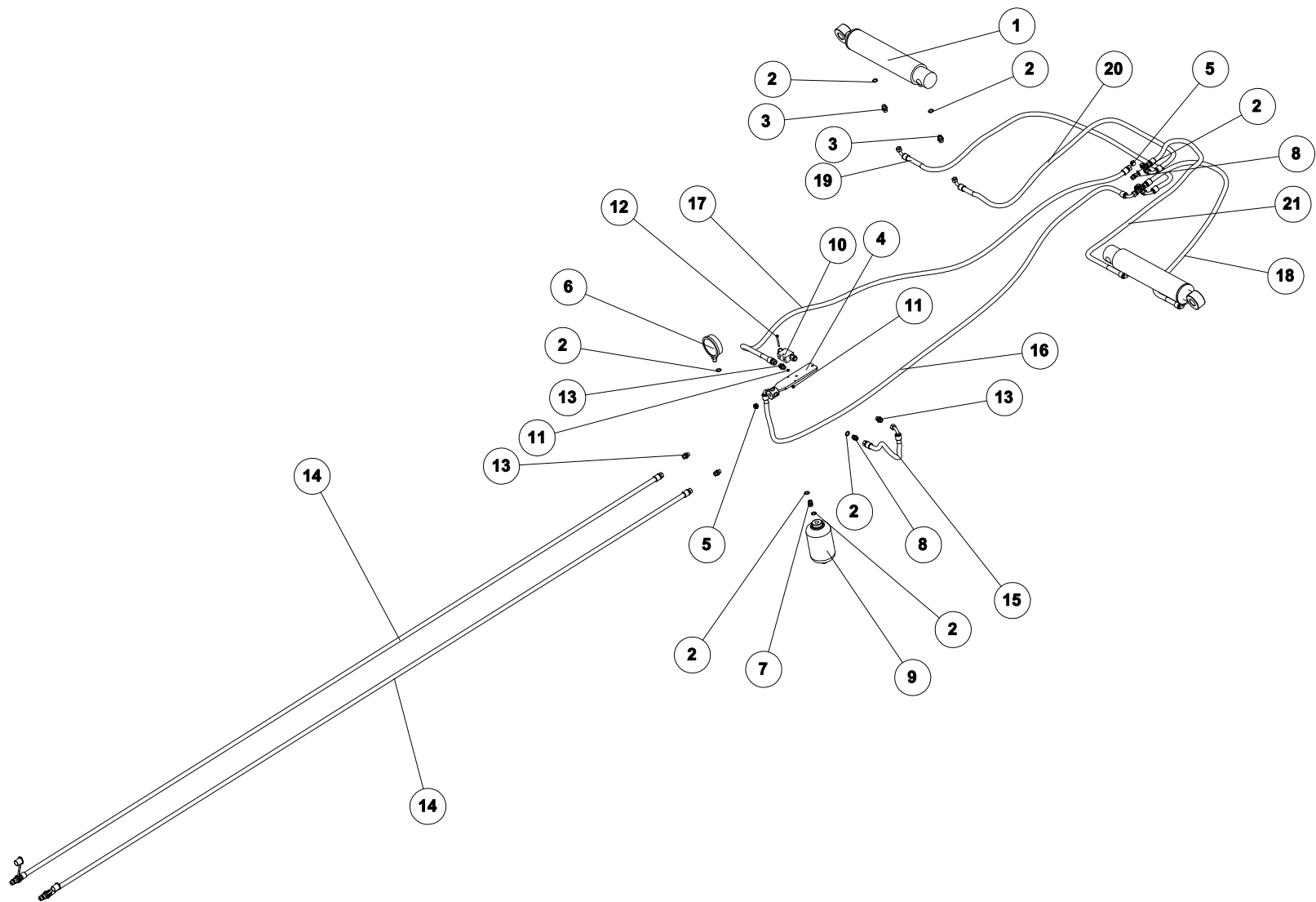
| Pos. | Qty. | Part nr. | Benævnelse | Bezeichnung | Description | Designation |
|------|------|----------|----------------------------------|-----------------------|--------------------------|----------------------------|
| 1 | 2 | 91831 | CYLINDER 130/60X700 | ZYLINDER | CYLINDER | VERRIN |
| 2 | 6 | 91028 | 3/8" BONDED SEALS PAKRING | BONDED SEALS PACKRING | BONDED SEAL WASHER | JOINT BONDED SEALS |
| 3 | 5 | 91003 | BRYSTNIPPEL M 18 / 3/8" RG GALV. | VERSCHRAUBUNG | HEXAGON NIPPLE CONNECTOR | RACCORD DE JONCTIONS MÂLES |
| 4 | 1 | 91088 | UDLUFTNINGSPROP 3/8" RG | LÜFTUNGSSTÖPSEL | AIR RELIEF PLUG | BOUCHON DE VENTILATION |
| 5 | 1 | 91113 | LIGE FORSKR. P-EGES 12 LR-WD-SV | GERADE VERSCHRAUBUNG | STRAIGHT CONNECTION | JOINT DROIT |
| 6 | 1 | 71230 | OVERTRYKSVENTIL 70 BAR | ÜBERDRUCKVENTIL | PRESSURE RELIEF VALVE | VALVE DE SUR-PRESSION |
| 7 | 1 | 91007 | KRYDS M 18 Ø12 GALV. P-KV 12L | KREUZ | CROSS | CROIX |
| 8 | 1 | 25526 | SLANGE M 18 L X M 18 V L=1000 MM | SCHLAUCH | HOSE | TUYAU |
| 9 | 1 | 25527 | SLANGE HAN + M 18 V L=5500 MM | SCHLAUCH | HOSE | TUYAU |
| 10 | 1 | 25528 | SLANGE HAN + M 18 L L=4700 MM | SCHLAUCH | HOSE | TUYAU |
| 11 | 2 | 25529 | SLANGE M 18 V + M 18 L L=350 MM | SCHLAUCH | HOSE | TUYAU |



DAL•BO - Spare parts - Reservedele - Pieces - Refacciones

MINIMAX XL 1230 - NO. 25382

SPAREPARTS Minimax XL 1230 25030 SERIE 55045-55739.cdr





DAL•BO - Spare parts - Reservedele - Pieces - Refacciones

MINIMAX XL 1230 - NO. 25382

SPAREPARTS Minimax XL 1230 25030 SERIE 55045-55739.cdr

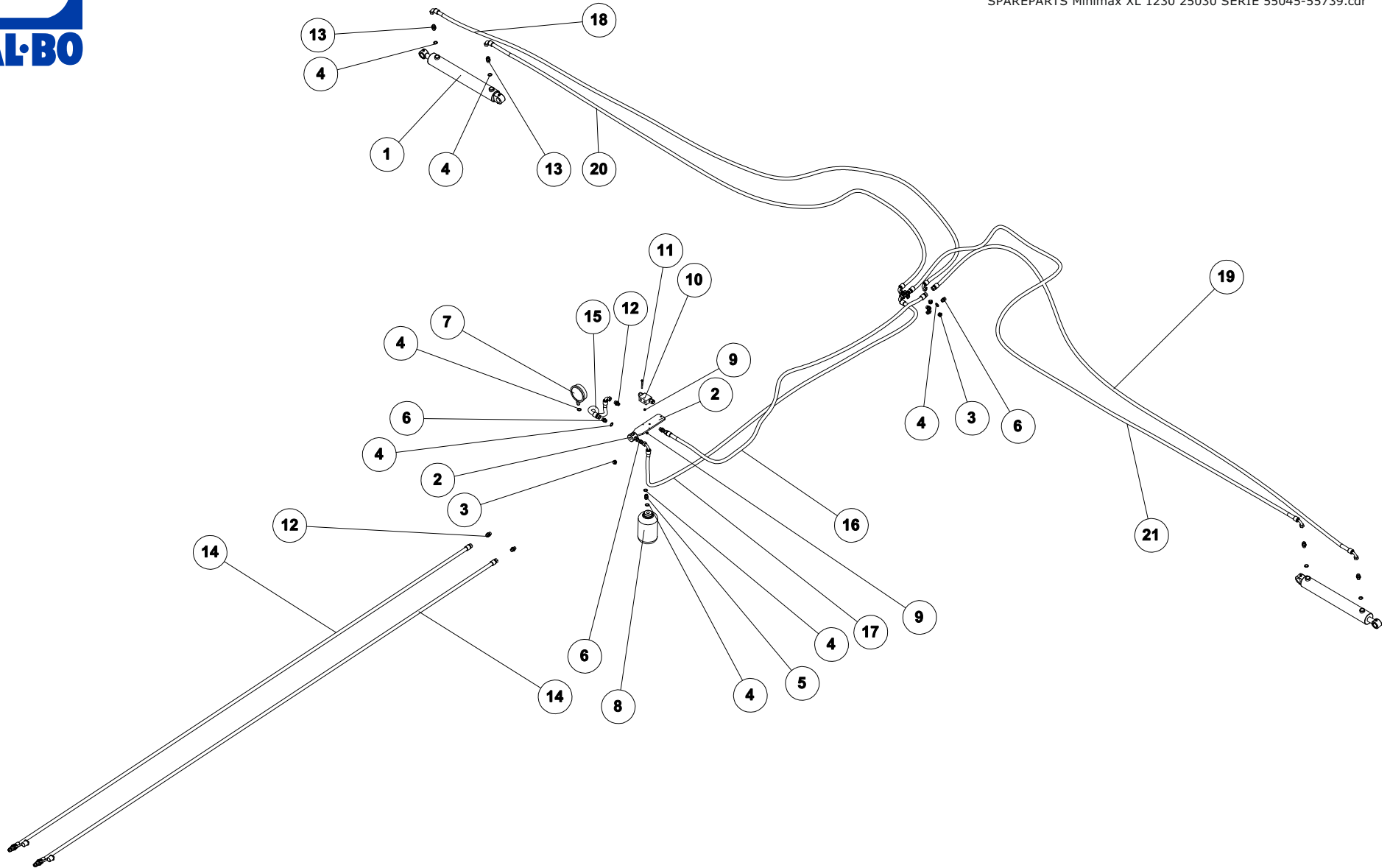
| Pos. | Qty. | Part nr. | Benævnelse | Bezeichnung | Description | Designation |
|------|------|----------|---------------------------------------|--------------------------------------|------------------------------------|----------------------------------|
| 1 | 2 | 91845 | CYLINDER 90/50X350 | ZYLINDER | CYLINDER | CYLINDRE |
| 2 | 15 | 91028 | 3/8" BONDED SEALS PAKRING | BONDED SEALS PAKRING | BONDED SEAL WASHER | JOINT BONDED SEALS |
| 3 | 4 | 91134 | DRØVL-BRYSTNIPPEL M18 X 3/8" - Ø1,0 | DROSSEL-VERSCHRAUBUNG | THROTTLE, HEXAGON NIPPLE CONNECTOR | RACCORD DE JONCTIONS MÂLES-GRIVE |
| 4 | 1 | 25446 | HYDRAULIKBLOK | HYDR. BLOK | HYDRAULIC BLOCK | BLOC HYDRAULIQUE |
| 5 | 5 | 91093 | SLUTPROP M/PAKNING 3/8" | SCHLUSSSTÖPSEL | END PLUG | BOUCHON DE FERMETURE |
| 6 | 1 | 91240 | MANOMETER 3/8" RG DALBO | MANOMETER | MANOMETER | MANOMÈTRE |
| 7 | 1 | 91002 | BRYSTNIPPEL 3/8"RG / 3/8"RG GALV | VERSCHRAUBUNG | HEXAGON NIPPLE CONNECTOR | RACCORD DE JONCTIONS MÂLES |
| 8 | 8 | 91003 | BRYSTNIPPEL M18 / 3/8" RG GALV. | VERSCHRAUBUNG | HEXAGON NIPPLE CONNECTOR | RACCORD DE JONCTIONS MÂLES |
| 9 | 1 | 91248 | AKKUMULATOR 1L H1000R - 40 BAR | AKKUMULATOR | ACCUMULATOR | ACCUMULATEUR |
| 10 | 1 | 27476 | PILOTSTYRET KONTRAVENTIL 3/8 - ENKELT | PILOTGESTEUERTES SPERRVENTIL DOPPELT | PILOT-OPERATED CHECK VALVE, DOUBLE | CLAPET DE BLOCAGE PILOTE DOUBLE |
| 11 | 2 | 92027 | MØTRIK M6, GALV. KV. 8.8 | MUTTER | NUT | ÉCROU |
| 12 | 1 | 92253 | BOLT M6X55, USKAFT GALV. KV. 8.8 | SCHRAUBE | SCREW | BOULON |
| 13 | 4 | 91077 | LIGE FORSKRUENING M18 x 3/8" | GERADE VERSCHRAUBUNG | STRAIGHT CONNECTION | JOINT DROIT |
| 14 | 2 | 25530 | SLANGE HAN + M18 L L=4000 MM | SCHLAUCH | HOSE | TUYAU |
| 15 | 1 | 25531 | SLANGE M18 V + M18 L L=300 MM | SCHLAUCH | HOSE | TUYAU |
| 16 | 1 | 25532 | SLANGE M18 V + M18 V L=2750 MM | SCHLAUCH | HOSE | TUYAU |
| 17 | 1 | 25533 | SLANGE M18 L + M18 L L=2750 MM | SCHLAUCH | HOSE | TUYAU |
| 18 | 1 | 25534 | SLANGE M18 V + M18 L L=2100 MM | SCHLAUCH | HOSE | TUYAU |
| 19 | 1 | 25535 | SLANGE M18 V + M18 V L=2200 MM | SCHLAUCH | HOSE | TUYAU |
| 20 | 1 | 25536 | SLANGE M18 V + M18 V L=1800 MM | SCHLAUCH | HOSE | TUYAU |
| 21 | 1 | 25537 | SLANGE M18 V + M18 L L=1650 MM | SCHLAUCH | HOSE | TUYAU |



DAL•BO - Spare parts - Reservedele - Pieces - Refacciones

MINIMAX XL 1230 - NO. 25383

SPAREPARTS Minimax XL 1230 25030 SERIE 55045-55739.cdr





DAL·BO - Spare parts - Reservedele - Pieces - Refacciones

MINIMAX XL 1230 - NO. 25383

SPAREPARTS Minimax XL 1230 25030 SERIE 55045-55739.cdr

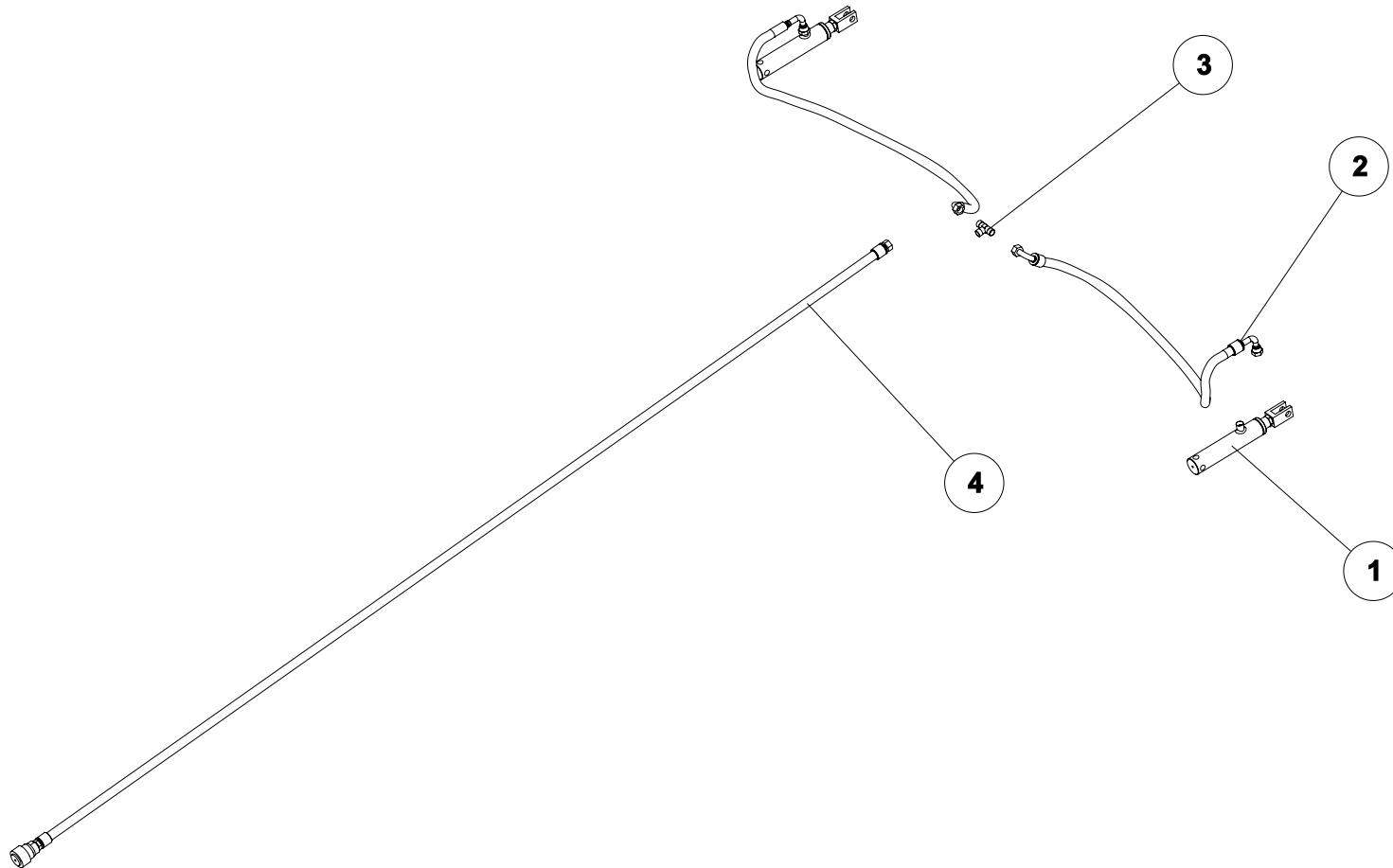
| Pos. | Qty. | Part nr. | Benævnelse | Bezeichnung | Description | Designation |
|------|------|----------|---------------------------------------|--------------------------------------|------------------------------------|----------------------------------|
| 1 | 2 | 91820 | CYLINDER 63/30x400 | ZYLINDER | RAN | VERRIN |
| 2 | 1 | 25446 | HYDRAULIKBLOK | HYDR. BLOCK | HYDRAULIC BLOCK | BLOC HYDRAULIQUE |
| 3 | 5 | 91093 | SLUTPROP M/PAKNING 3/8" | SCHLUSSSTÖPSEL | END PLUG | BOUCHON DE FERMETURE |
| 4 | 15 | 91028 | 3/8" BONDED SEALS PAKRING | BONDED SEALS PACKRING | BONDED SEAL WASHER | JOINT BONDED SEALS |
| 5 | 1 | 91002 | BRYSTNIPPEL 3/8"RG / 3/8"RG GALV | VERSCHRAUBUNG | HEXAGON NIPPLE CONNECTOR | RACCORD DE JONCTIONS MÂLES |
| 6 | 8 | 91003 | BRYSTNIPPEL M18 / 3/8" RG GALV. | VERSCHRAUBUNG | HEXAGON NIPPLE CONNECTOR | RACCORD DE JONCTIONS MÂLES |
| 7 | 1 | 91240 | MANOMETER 3/8" RG DALBO | MANOMETER | MANOMETER | MANOMÈTRE |
| 8 | 1 | 91248 | AKKUMULATOR 1L H1000R - 40 BAR | AKKUMULATOR | ACCUMULATOR | ACCUMULATEUR |
| 9 | 2 | 92027 | MØTRIK M6, GALV. KV. 8.8 | MUTTER | NUT | ÉCROU |
| 10 | 1 | 27476 | PILOTSTYRET KONTRAVENTIL 3/8 - ENKELT | PILOTGESTEUERTES SPERRVENTIL DOPPELT | PILOT-OPERATED CHECK VALVE, DOUBLE | CLAPET DE BLOCAGE PILOTE DOUBLE |
| 11 | 1 | 92253 | BOLT M6X55, U/SKAFT GALV. KV. 8.8 | SCHRAUBE | SCREW | BOULON |
| 12 | 4 | 91077 | LIGE FORSKRUENING M18 x 3/8" | GERADE VERSCHRAUBUNG | STRAIGHT CONNECTION | JOINT DROIT |
| 13 | 4 | 91134 | DRØVL-BRYSTNIPPEL M18 X 3/8" - Ø10 | DROSSEL-VERSCHRAUBUNG | THROTTLE, HEXAGON NIPPLE CONNECTOR | RACCORD DE JONCTIONS MÂLES-GRIVE |
| 14 | 2 | 25530 | SLANGE HAN + M18 L L=4000 MM | SCHLAUCH | HOSE | TUYAU |
| 15 | 1 | 25531 | SLANGE M18 V + M18 L L=300 MM | SCHLAUCH | HOSE | TUYAU |
| 16 | 1 | 25533 | SLANGE M18 L + M18 L L=2750 MM | SCHLAUCH | HOSE | TUYAU |
| 17 | 1 | 25532 | SLANGE M18 V + M18 V L=2750 MM | SCHLAUCH | HOSE | TUYAU |
| 18 | 1 | 25538 | SLANGE M18 V + M18 V L=4400 MM | SCHLAUCH | HOSE | TUYAU |
| 19 | 1 | 25539 | SLANGE M18 V + M18 L L=4850 MM | SCHLAUCH | HOSE | TUYAU |
| 20 | 1 | 25540 | SLANGE M18 V + M18 V L=4100 MM | SCHLAUCH | HOSE | TUYAU |
| 21 | 1 | 25541 | SLANGE M18 V + M18 L L=4650 MM | SCHLAUCH | HOSE | TUYAU |



DAL•BO - Spare parts - Reservedele - Pieces - Refacciones

MINIMAX XL 1230 - NO. 25384

SPAREPARTS Minimax XL 1230 25030 SERIE 55045-55739.cdr





DAL•BO - Spare parts - Reservedele - Pieces - Refacciones

MINIMAX XL 1230 - NO. 25384

SPAREPARTS Minimax XL 1230 25030 SERIE 55045-55739.cdr

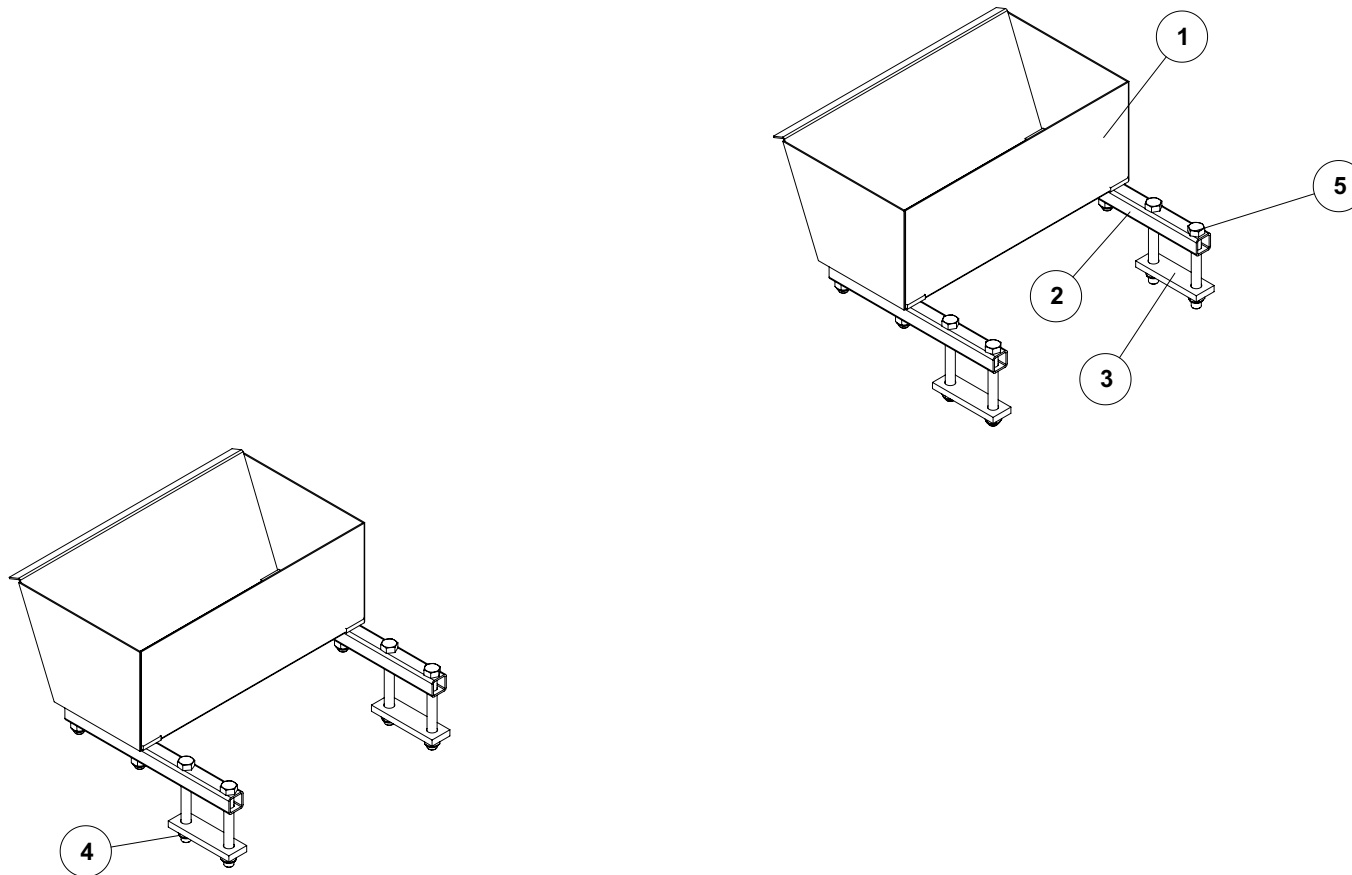
| Pos. | Qty. | Part nr. | Benævnelse | Bezeichnung | Description | Designation |
|------|------|----------|--------------------------------------|-------------|-------------|-------------|
| 1 | 2 | 37300 | CYLINDER SRBR25 Ø25X75 | ZYLINDER | CYLINDER | VERRIN |
| 2 | 2 | 25839 | SLANGE M 18 V + 3/8 V L=1700 MM | SCHLAUCH | HOSE | TUYAU |
| 3 | 1 | 91006 | T-STYKKE M 18X1.5 P-TV 12L | T-STÜCK | T-PIECE | T-PIÈCE |
| 4 | 1 | 25542 | SLANGE BREM SEHAN + M 18 L L=5800 MM | SCHLAUCH | HOSE | TUYAU |



DAL·BO - Spare parts - Reservedele - Pieces - Refacciones

MINIMAX XL 1230 - NO. 25109

SPAREPARTS Minimax XL 1230 25030 SERIE 55045-55739.cdr





DAL•BO - Spare parts - Reservedele - Pieces - Refacciones

MINIMAX XL 1230 - NO. 25109

SPAREPARTS Minimax XL 1230 25030 SERIE 55045-55739.cdr

| Pos. | Qty. | Part nr. | Benævnelse | Bezeichnung | Description | Designation |
|------|------|----------|------------------------------------|------------------------|------------------|-------------------|
| 1 | 2 | 23364 | STENKASSE MINIMAX | STEINKISTE | STONE BOX | BOÎTE À PIERRES |
| 2 | 4 | 24418 | BESLAG FOR STENKASSE | BESCHLAG | MOUNTING PLATE | FIXATION |
| 3 | 4 | 24402 | SPÆNDEPLADE Ø22-98-50X15-170 | PLATTE | FASTENING PLATE | PLAQUE |
| 4 | 16 | 92052 | MØTRIK M20, SELVLÅS. GALV. KV. 8.8 | MUTTER SELBSTGESICHERT | SELF-LOCKING NUT | ÉCROU DE SÉCURITÉ |
| 5 | 8 | 92339 | BOLT 20x180 8.8 GALV. | SCHRAUBE | SCREW | BOULON |
| 6 | 8 | 92336 | BOLT 20 X 80 8.8 GALV. | SCHRAUBE | SCREW | BOULON |