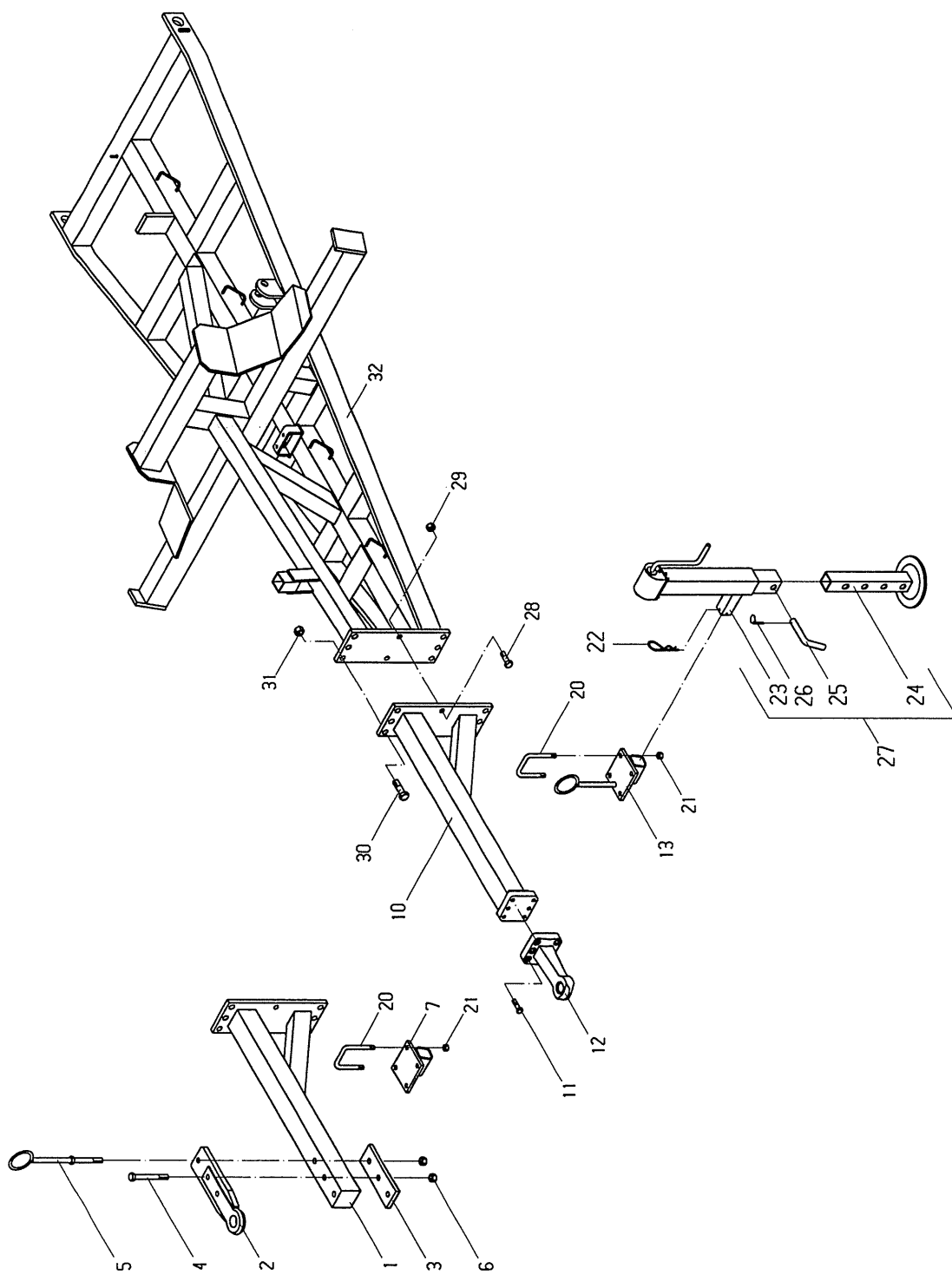


| | | | <u>Resevedele</u> | <u>Spareparts</u> | <u>Pieces</u> | <u>Ersatzteile</u> |
|-------|------------------------------|-------------|---------------------------|---------------------------|------------------------------|--------------------------|
| | | | 9.30m Mini-max | 9.30m Compact | 9.30m Roll-Compact | 9.30m Mini-max |
| | | | Fra serie Nr. 54158- | From serial No. 54158- | De serie No. 54158- | Ab Serien Nr. 54158- |
| | Varenr. Partsn. Numero | | 3-delt | 3-section | 3-élément | 3-Teilig |
| Pos. | Warennr. | Dimension | Betegnels | Designation | Designation | Bezeichnung |
| 11 | 92051 | M16 | Møtrik selvl | Self locking nut | Écrou | Mutter |
| 13 | 13299 | R Ø30x85 | Nagle | Pin | Clous | Bolzen |
| 14 | 90677 | 8x50 mm | Split | Split pin | Goupille | Sicherung |
| 15 | 23297 | Ø50x1205 | Nagle | Pin | Clous | Bolzen |
| 16 | 90684 | 8x60 mm | Split | Split pin | Goupille | Sicherung |
| 17 | 90662 | Ø62/31x3,5 | Skive | Disk | Disque | Scheibe |
| 18 | 23293 | | Midtersektion | Central section | Bâti central | Mittel sektion |
| 20-22 | 25220 | | Nav kpl. | Hub | Moyeu | Nabe |
| 27 | 25259 | 400/60-15,5 | Hjul | Wheel | Roue | Rad |
| 28 | 23453 | M18 | Møtrik | Nut | Ecrou | Mutter |
| 32 | 23265 | | Sidesektion venstre | Sidesection left | Cadre lateral gauche | Seite sektion links |
| 33 | 23266 | | Sidesektion Højre | Sidesection right | Cadre lateral droit | Seite sektion Rechter |
| 34 | 90721 | M8 | Smørenippel | Grease nippel | Graisser | Fettnippel |
| 35 | 23294 | ø50x670 | Nagle | Pin | Clous | Bolzen |
| 36 | 92295 | M12x30 | Skrue | Screw | Vis | Schraube |
| 37 | 23386 | 60 mm | Aksel - midt | Axle | Arbre central | Achse |
| 38 | 23392 | 60 mm | Aksel - side | Axle | Arbre latéral | Achse |
| 39 | 92384 | M12x35 | Bolt | Bolt | Boulon | Schraube |
| 40 | 90111 | 60 mm | Stopring | Stop bushing | Vids d'arret | Stelling |
| 41 | 12334 | 60 mm | Stopring kpl. | Stop bushing | Anneau d'arret | Stelling |
| 42 | 15384 | 50 cm | Glat | Smooth ring | Anneau lisse | Glatter Ring |
| 43 | 15385 | 50 cm | Takket tromlering | Jagged ring | Anneau dente | Gezackter Ring |
| 44 | 12437 | 50 mm | Flangeleje MF | Bearing MF | Palier MF | Lager MF |
| 46 | 90659 | ø72/ø36x4 | Skive | Disk | Disque | Scheibe |
| 47 | 13296 | ø35x95 | Nagle | Pin | Clous | Bolzen |
| 48 | 72286 | ø35x120 | Nagle | Pin | Clous | Bolzen |
| 50* | 91805 | 80/40x350 | Cylinder kpl. | Cylinder kpl. | Verin cpl. | Zylinder kpl. |
| 49* | 91806 | | Pakningssæt t/cylinder | Set of sealings | Jeu de joints verin | Dichtung für Zylinder |
| 50a* | 91807 | 80/40x350 | Stempelstang | Piston rod | Tige de piston | Kolbenstange |
| 69 | 34213 | | Advarsels- trekant | Warning triangle | Triangle de signalisation | Warndreieck |

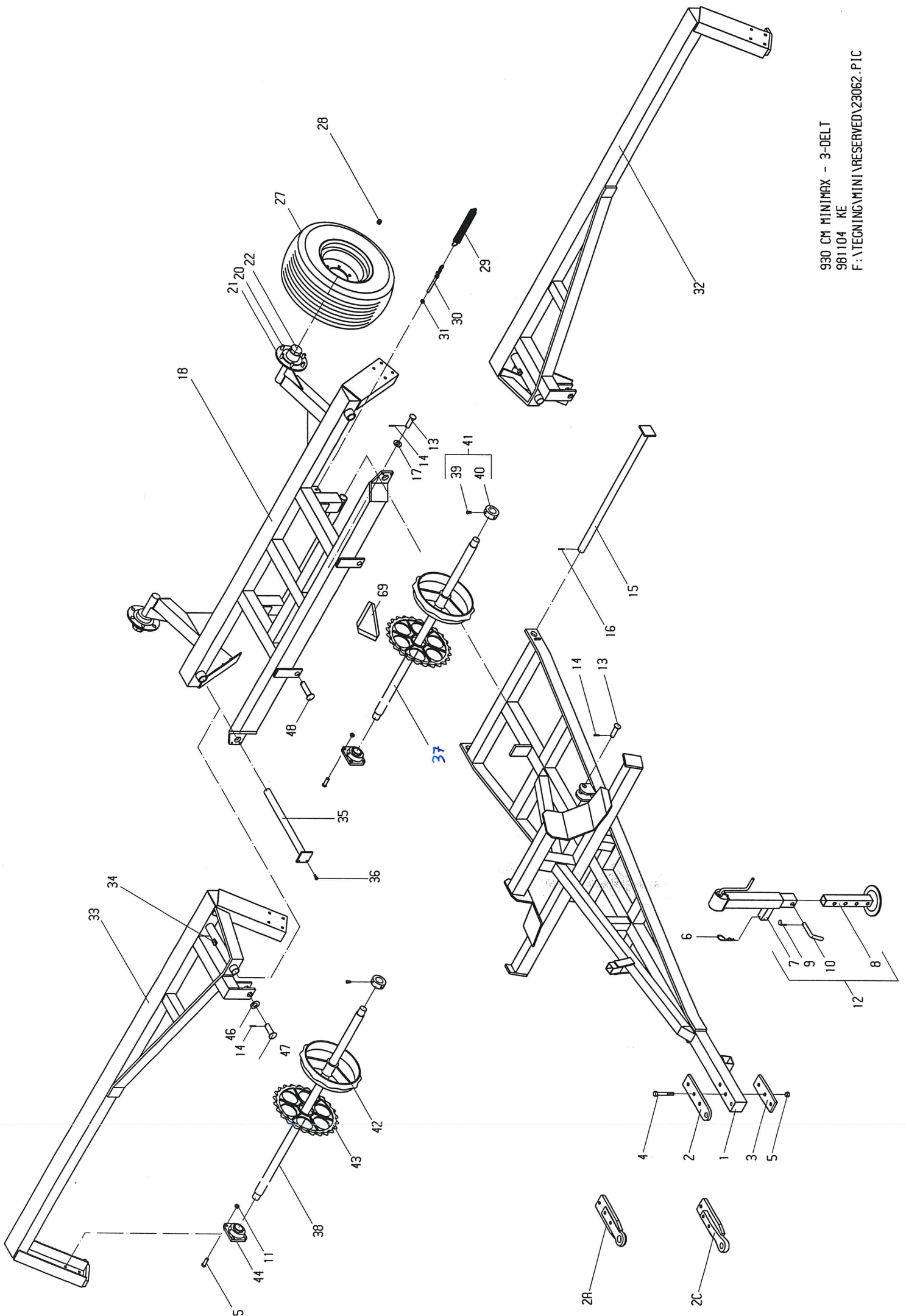
| | Varenr. Partsn. Numero | | 3-delt | 3-section | 3-élément | 3-Teilig |
|------|------------------------------|------------|---------------------------|--------------------|------------------------|------------------------------|
| Pos. | Warennr. | Dimension | Betegnels | Designation | Designation | Bezeichnung |
| 51 | 91029 | 1/2" | Pakring | Joint | Joint | Packring |
| 52 | 91073 | 1/2"/M18" | Brystnippel | Adaptor | Raccord hyd.d. | Verschraubung |
| 53 | 23343 | l=1600 | Slange kpl. | Tube cpl. | Tuyau cpl. | Schlauch kpl. |
| 54 | 23333 | l=1230 | Slange kpl. | Tube cpl. | Tuyau cpl. | Schlauch kpl. |
| 55 | 91006 | M18 | T-stykke | T-piece | Raccord T | T-Stück |
| 56 | 13315 | | Drøvling | Trusch | Grive | Drossel |
| 57 | 91004 | M18 | Forskruning | Adaptor | Raccord | Verschraubung |
| 58 | 23348 | l=2070 | Slange kpl. | Tube cpl. | Tuyau cpl. | Schlauch kpl. |
| 60 | 91860 | 110/50x700 | Cylinder kpl. | Cylinder cpl. | Verin cpl. | Zylinder kpl. |
| 59 | 91861 | | Pakningssæt t/cylinder | Set of sealings | Jeu de joints verin | Dichtung für für Zylinder |
| 60a | 91862 | 110/50x700 | Stempelstang | Piston rod | Tige de piston | Kolbenstange |
| 61 | 91028 | 3/8" | Pakring | Joint | Joint | Packring |
| 62 | 91088 | 3/8" | Udluftnings- prop | Air escape plug | Reniflard | Entluftungs- pfropfen |
| 63 | 91002 | 3/8"RG | Brystnippel | Adaptor | Raccord hyd.d. | Verschraubung |
| 64 | 23338 | l=725 | Slange | Tube | Tuyau | Schlauch |
| 65 | 91006 | M18 | T-stykke | T-piece | Raccord T | T-Stück |
| 66 | 23336 | l=4900 | Slange kpl. | Tube cpl. | Tuyau cpl. | Schlauch kpl. |



Pos. 1-7 + 20-32

Pos. 10-13 + 20-32

| | | | <u>Resevedele</u> | <u>Spareparts</u> | <u>Pieces</u> | <u>Ersatzteile</u> |
|------|------------------------------|------------|---------------------------|--------------------------|--------------------------|----------------------------|
| | | | 9.30 m Mini-max | 9.30 m Compact | 9.30 m Roll-compact | 9.30 m Mini-max |
| | | | Fra serie Nr. 51832 | From serial No. 51832 | De serie No. 51832 | Ab Serien Nr. 51832 |
| | Varenr. Partsn. Numero | | 3-delt | 3-section | 3-élément | 3-Teilig |
| Pos. | Warenr. | Dimension | Betegnelse | Designation | Designation | Bezeichnung |
| 1 | 23273 | | Træk forrest | Drawbar - front | Attelage - avant | Zug - vorne |
| 2 | 25443 | ø50 | Hitchøje | Drawhitch | Timon (hitch) | Hitzhaue |
| 3 | 25444 | | Mellemlægspl. | Plate | Plaque | Platte |
| 4 | 92339 | M20x180 | Bolt | Bolt | Boulon | Schraube |
| 5 | 23399 | | Slangeholder | Hose stand | Support de tuyau | Halterung für schläuche |
| 6 | 92052 | M20 | Møtrik selvlåsende | Nut selflocking | Ecrou de sécurité | Mutter Selbstgesich. |
| 7 | 23398 | | Holder for støtteben | Jack bracket | Fixation pour support | Halterung für Ständer |
| 10 | 23272 | | Træk forrest Rockinger | Drawbar - front | Attelage - avant | Zug - vorne |
| 11 | 92314 | M16x55 | Bolt | Bolt | Boulon | Schraube |
| 12 | 25245 | | Rockingertræk | Rockinger draweye | Rockinger de fourche | Rockinger Zugöse |
| 13 | 23393 | | Holder for støtteben | Jack bracket | Fixation pour support | Halterung für Ständer |
| 20 | 14202 | M16 | Dragebånd | U-bolt | Lame support | Bügel |
| 21 | 92051 | M16 | Møtrik selvlåsende | Nut selflocking | Ecrou de sécurité | Mutter Selbstgesich. |
| 22 | 90676 | 7 mm | Hårnål | Split pin | Goupille | Sicherung |
| 23* | 90xxx | | Støttebens top | Support top | Bequille sommet | Stütze topp |
| 24* | 90562 | | Fod til ben | Foot for support | Pied de bequille | Fuss für Stütze |
| 25* | 90563 | ø22 | Nagle til ben | Pin | Axe | Bolzen |
| 26* | 90555 | ø5x40 | Ringsplit | Split pin | Goupille | Sicherung |
| 27* | 90xxx | pos. 23-26 | Støtteben Kpl. | Support cpl. | Bequille cpl. | Stütze Kpl. |
| 28 | 92334 | M20x60 | Bolt | Bolt | Boulon | Schraube |
| 29 | 92052 | M20 | Møtrik selvlåsende | Nut selflocking | Ecrou de sécurité | Mutter Selbstgesich. |
| 30 | 92385 | M24x65 | Bolt | Bolt | Boulon | Schraube |
| 31 | 92053 | M24 | Møtrik selvlåsende | Nut selflocking | Ecrou de sécurité | Mutter Selbstgesich. |
| 32 | 23274 | | Træk bagerst | Drawbar - rear | Attelage - arrière | Zug - hinten |



930 CM MINIMAX - 3-DELT
 981104 KE
 F:\TEGNI\MINI\RESERVED\23062.PIC