

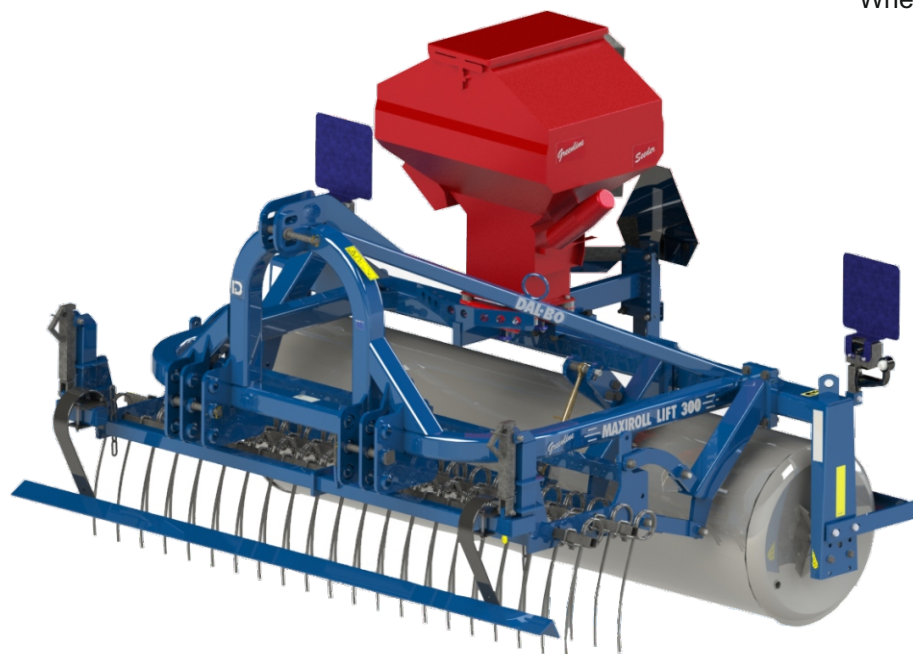


DAL•BO - Spare parts - Reservedele - Pieces - Refacciones

MAXIROLL GREENLINE LIFT 300

SPAREPARTS Greenline Lift 300 SERIE 0103-0110.cdr

Author: DL
Created: DL 03.12.2014
Modified: DL 05.12.2014



DK Reservedelsliste for liftophængt marktromle, type **GREENLINE LIFT 300**.

*Husk ved reservedelsbestilling at opgive aggregatets type og ordrenummer.

D Ersatzteilliste für Dreipunkt Wiesenwalze, Typ **GREENLINE LIFT 300**.

*Bei Bestellung, immer Typ und Auftragsnummer.

GB Spare part list for three-point linkage mounted roller type **GREENLINE LIFT 300**.

*When ordering spare parts, always state actual type and order number.



DAL·BO - Spare parts - Reservedele - Pieces - Refacciones

MAXIROLL GREENLINE LIFT 300

SPAREPARTS Greenline Lift 300 SERIE 0103-0110.cdr



For deres sikkerhed samt for funktionsdygtigheden af deres maskine, bør der kun anvendes originale Dal-Bo reservedele til deres maskine.

Når de bestiller reservedele bør de altid informere om:

- Reservedelsnummer
- Maskinens typenummer
- Antal styk af reservedelen



Zu Ihrer Sicherheit und zur einwandfreien Funktion ihres Gerätes sollten sie unbedingt nur original Dal-Bo Ersatzteile verwenden.

Wenn sie Ersatzteile bestellen bitte folgendes beachten:

- Ersatzteil-Nummer
- Geräte-Nummer und -typ
- Anzahl der Ersatzteile



For your safety and for the functions of the mashing, you should only use original spare parts for m Dal-Bo. When you order spare parts, you should always inform about:

- Spare part number
- The mashing type number
- Amount of spare parts pieces



Pour votre sécurité et pour les fonctions du matériel, vous devez utiliser uniquement des pièces détachées d'origine Dal-Bo.

Lorsque vous commandez vos pièces détachées, vous devez toujours nous indiquer :

- Le numéro de la pièce
- Le type de la machine
- La quantité des pièces détachées.



DAL•BO - Spare parts - Reservedele - Pieces - Refacciones

MAXIROLL GREENLINE LIFT 300

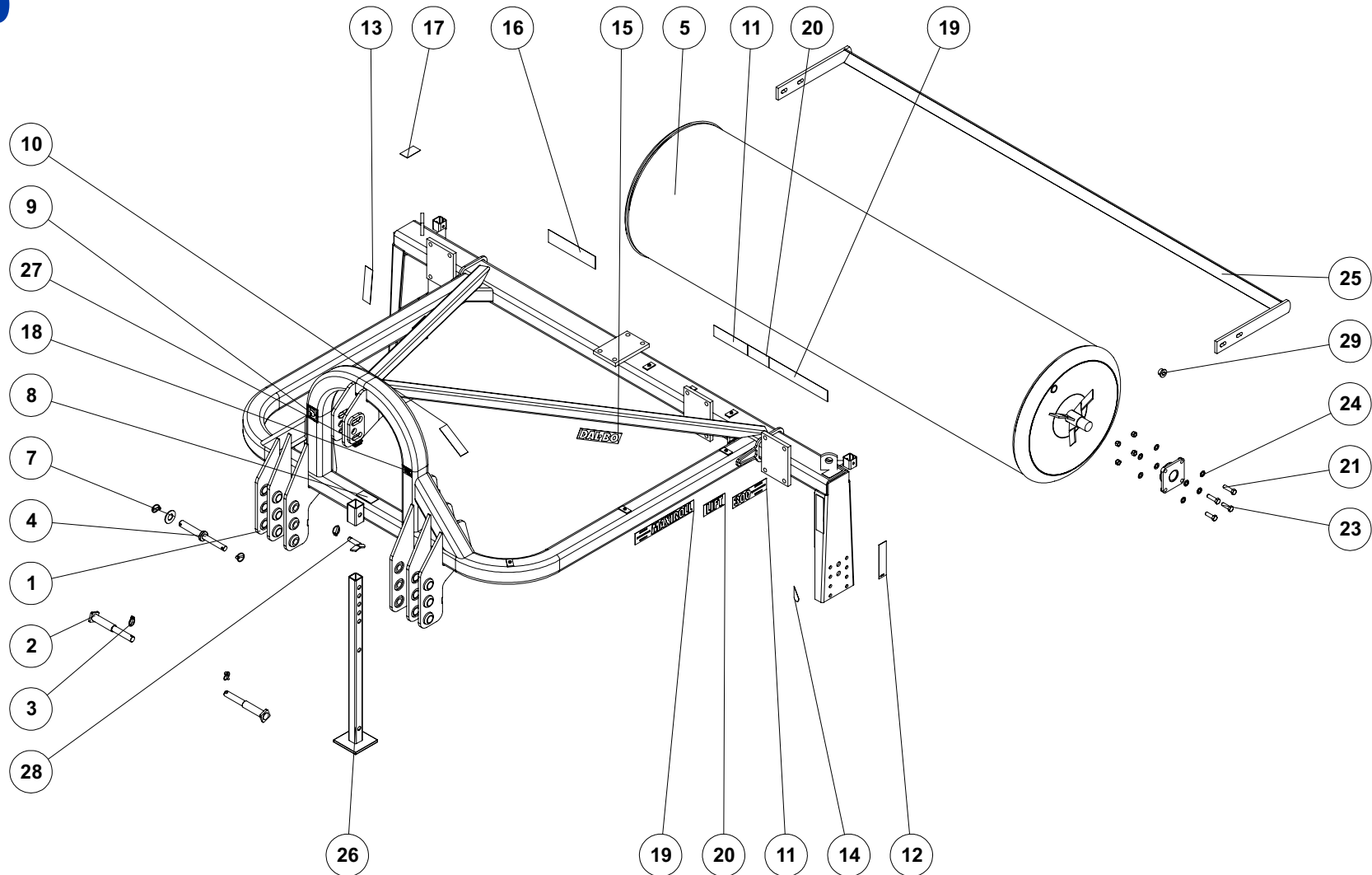
SPAREPARTS Greenline Lift 300 SERIE 0103-0110.cdr



DAL•BO - Spare parts - Reservedele - Pieces - Refacciones

MAXIROLL GREENLINE LIFT 300 STEEL ROLLER NO 33880

SPAREPARTS Greenline Lift 300 SERIE 0103-0110.cdr





DAL•BO - Spare parts - Reservedele - Pieces - Refacciones

MAXIROLL GREENLINE LIFT 300

STEEL ROLLER NO 33880

SPAREPARTS Greenline Lift 300 SERIE 0103-0110.cdr

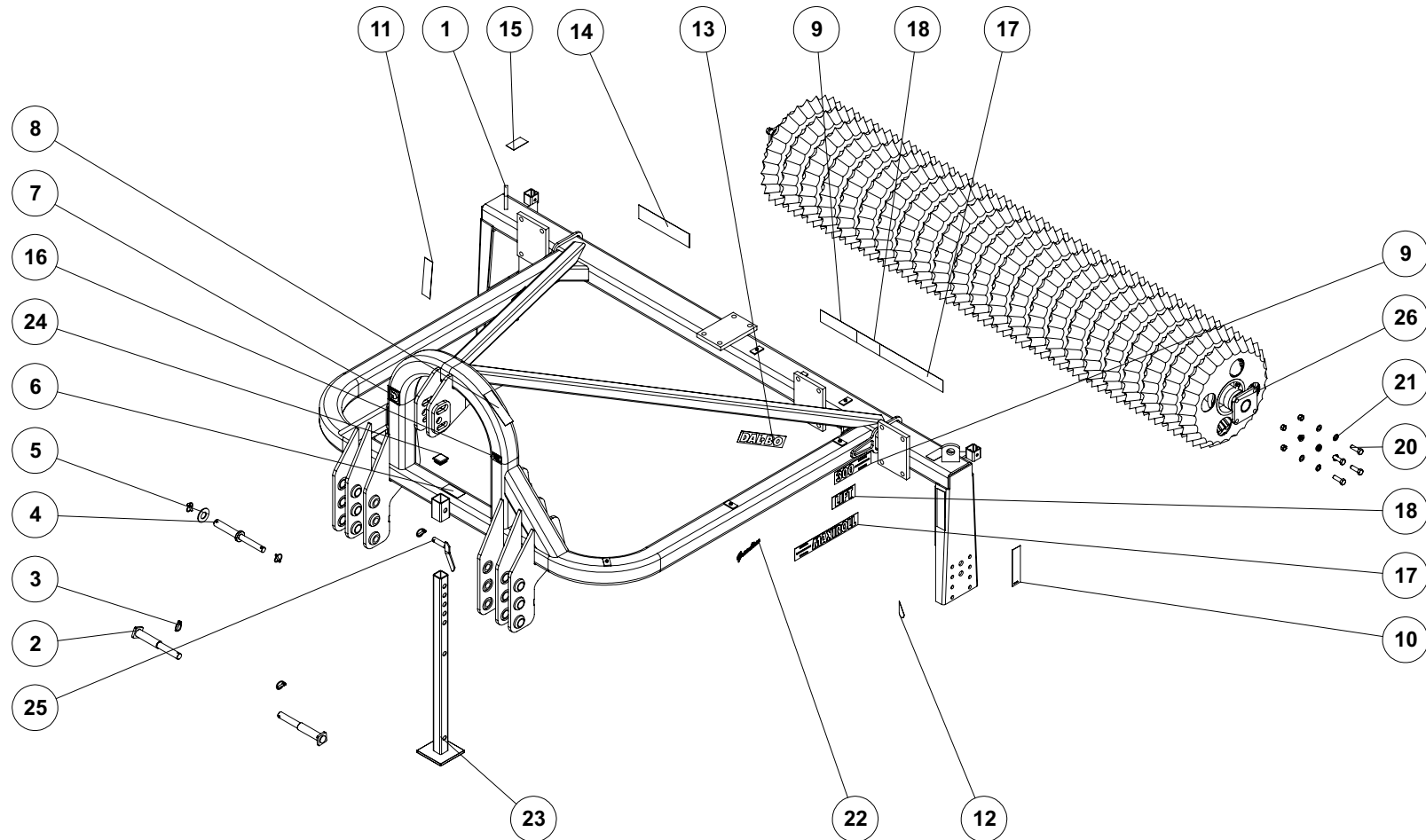
Pos.	Qty.	Part nr.	Benævnelse	Bezeichnung	Description	Designation
1	1	33882	RAMME	RAHME	FRAME	CADRE
2	2	39403	TRÆKNAGLE 28-35 M ED FIRKANT	BOLZEN	PIN	AXE
3	5	90680	RINGSPLIT Ø 8X40 FLAD	RINGSPLINT	LINCH PIN	GOUPILLE
4	1	39998	TOPSTANGSNAGLE - KAT. II/III	OBERLENKER BOLZEN	TOP LINK PIN	HECKBOLZEN
5	1	37404	STÅLTROMLE Ø71X10 MM KPL. - 830 MIDT	WALZE	ROLLER	ROULEAU
6	2	12391	KOMPLET Y-LEJE FY 50 TL	KOMPLETTES Y-LAGER	COMPLETE Y-BEARING	PALIER-Y COMPLET
7	1	90660	SKIVE Ø33-Ø68-4	UNTERLEGSCHIEBE	WASHER	RONDELLE DE SERRAGE
8	1	90910	TYPESKILT	TYPENSCHILD	IDENTIFICATION PLATE	PLAQUE D'IDENTIFICATION
9	1	90906	TRANSFER "LOGO"	TRANSFER	TRANSFER	TRANSFERT
10	1	90956	EFTERSPÆNDING AF MØTRIKKER	TRANSFER	TRANSFER	TRANSFERT
11	3	90899	TRANSFERS "300+STREGER"	TRANSFER	TRANSFER	TRANSFERT
12	2	90921	REFLEX JRU 1018 GUL	REFLEX	REFLEX	REFLET
13	2	90922	REFLEX JRU 1019 HVID	REFLEX	REFLEX	REFLET
14	2	90924	TRANSFER "SM ØRING - 50 HR"	TRANSFER	TRANSFER	TRANSFERT
15	2	90907	TRANSFER "DALBO"	TRANSFER	TRANSFER	TRANSFERT
16	1	90905	TRANSFER "DAL•BO"	TRANSFER	TRANSFER	TRANSFERT
17	2	90927	TRANSFER "LØFTEKROG"	TRANSFER	TRANSFER	TRANSFERT
18	1	90901	TRANSFER "DAL•BO A/S ADRESSE"	TRANSFER	TRANSFER	TRANSFERT
19	3	90996	TRANSFER "MAXIROLL+STREGER"	TRANSFER	TRANSFER	TRANSFERT
20	3	91146	TRANSFER "LIFT"	TRANSFER	TRANSFER	TRANSFERT
21	4	92424	BOLT 16X60 MM 8.8 GALV.	SCHRAUBE	SCREW	BOULON
22	8	92051	MØTRIK M 16 SELVLÅS. GLV.8	MUTTER	NUT	ÉCROU
23	4	92317	BOLT 16X50 MM 8.8 GALV.	SCHRAUBE	SCREW	BOULON
24	16	90643	SKIVE Ø17/Ø29X3 MM	SCHIEBE	WASHER	RONDELLE
25	1	37518	AFSKRABER MAXIROLL 830 - MIDT	ABSTREIFER	SCRAPER	SYSTÈME DE RACLAGE
26	1	33886	STØTTEBEN	STÜTZFUSS (HINTEN)	REAR JACK	BÉQUILLE (DE DERRIÈRE)
27	1	90753	DUPSKO DPE 50 X 50 X 2 - 4 SORT	RÖHRENSTÖPSEL	END CAP	BOUCHON DE TUBE
28	1	22289	NAGLE H Ø20X60(75) S355	BOLZEN	PIN	AXE
29	2	91085	SLUTPROP M/PAKNING 1"	SCHLUSSSTÖPSEL	END PLUG	BOUCHON DE FERMETURE



DAL•BO - Spare parts - Reservedele - Pieces - Refacciones

MAXIROLL GREENLINE LIFT 300 Ø550 MM CROSS COMBI NO 33887

SPAREPARTS Greenline Lift 300 SERIE 0103-0110.cdr





DAL•BO - Spare parts - Reservedele - Pieces - Refacciones

MAXIROLL GREENLINE LIFT 300 Ø550 MM CROSS COMBI NO 33887

SPAREPARTS Greenline Lift 300 SERIE 0103-0110.cdr

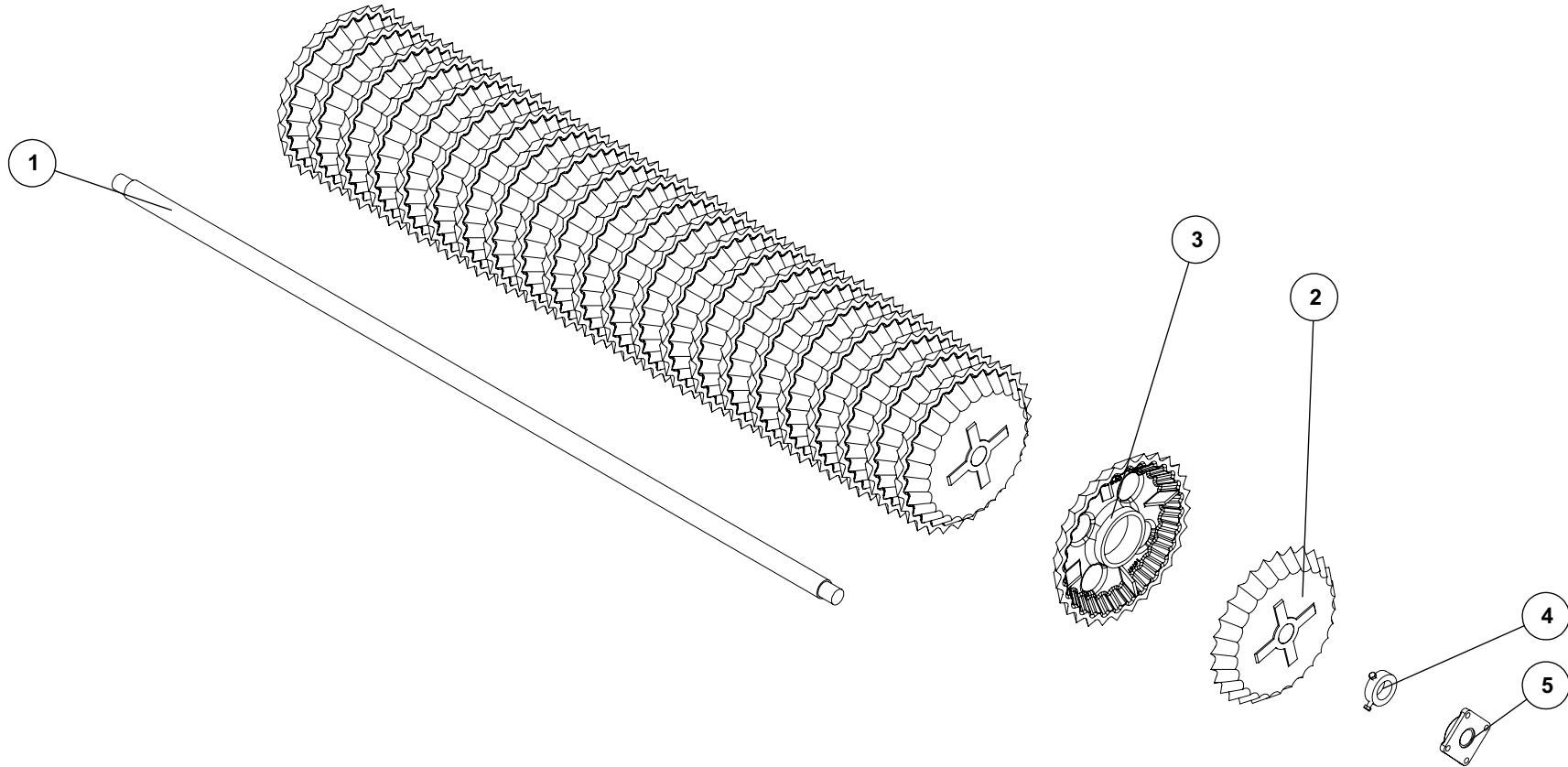
Pos.	Qty.	Part nr.	Benævnelse	Bezeichnung	Description	Designation
1	1	33882	RAMME	RAHME	FRAME	CADRE
2	2	39403	TRÆKNAGLE 28-35 MED FIRKANT	BOLZEN	PIN	AXE
3	5	90680	RINGSPLIT Ø 8X40 FLAD	RINGSPLINT	LINCH PIN	GOUPILLE
4	1	39998	TOPSTANGSNAGLE - KAT. II/III	OBERLENKER BOLZEN	TOP LINK PIN	HECKBOLZEN
5	1	90660	SKIVE Ø33-Ø68-4	UNTERLEGSCHIEBE	WASHER	RONDELLE DE SERRAGE
6	1	90910	TYPESKILT	TYPENSCHILD	IDENTIFICATION PLATE	PLAQUE D'IDENTIFICATION
7	1	90906	TRANSFER "LOGO"	TRANSFER	TRANSFER	TRANSFERT
8	1	90956	EFTERSPÆNDING AF MØTRIKKER	TRANSFER	TRANSFER	TRANSFERT
9	3	90899	TRANSFERS "300+STREGER"	TRANSFER	TRANSFER	TRANSFERT
10	2	90921	REFLEX JRU 10 18 GUL	REFLEX	REFLEX	REFLET
11	2	90922	REFLEX JRU 10 19 HVID	REFLEX	REFLEX	REFLET
12	2	90924	TRANSFER "SM ØRING - 50 HR"	TRANSFER	TRANSFER	TRANSFERT
13	2	90907	TRANSFER "DALBO"	TRANSFER	TRANSFER	TRANSFERT
14	1	90905	TRANSFER "DAL-BO"	TRANSFER	TRANSFER	TRANSFERT
15	2	90927	TRANSFER "LØFTEKROG"	TRANSFER	TRANSFER	TRANSFERT
16	1	90901	TRANSFER "DAL-BO A/S ADRESSE"	TRANSFER	TRANSFER	TRANSFERT
17	3	90996	TRANSFER "MAXIROLL+STREGER"	TRANSFER	TRANSFER	TRANSFERT
18	3	9146	TRANSFER "LIFT"	TRANSFER	TRANSFER	TRANSFERT
19	8	92051	MØTRIK M 16 SELVLÅS. GLV. 8	MUTTER	NUT	ÉCROU
20	8	92317	BOLT 16X50 MM 8.8 GALV.	SCHRAUBE	SCREW	BOULON
21	16	90643	SKIVE Ø17/Ø29X3 MM	SCHEIBE	WASHER	RONDELLE
22	1	90884	TRANSFER "GREENLINE"	TRANSFER	TRANSFER	TRANSFERT
23	1	33886	STØTTEBEN	STÜTZFUSS (HINTEN)	REAR JACK	BÉQUILLE (DE DERRIÈRE)
24	1	90753	DUPSKO DPE 50 X 50 X 2 - 4 SORT	RÖHRENSTÖPSEL	END CAP	BOUCHON DE TUBE
25	1	22289	NAGLE H Ø20X60 (75) S355	BOLZEN	PIN	AXE
26	1	33889	GODS PÅ AKSEL - CROSS COMBI Ø55	SATZ GIESSGUT FÜR DIE WELLEN	METAL SET FOR AXLE	MÉTAL SUR ARBRES



DAL•BO - Spare parts - Reservedele - Pieces - Refacciones

MAXIROLL GREENLINE LIFT 300 Ø550 MM CROSS COMBI NO 33889

SPAREPARTS Greenline Lift 300 SERIE 0103-0110.cdr





DAL•BO - Spare parts - Reservedele - Pieces - Refacciones

MAXIROLL GREENLINE LIFT 300 Ø550 MM CROSS COMBI NO 33889

SPAREPARTS Greenline Lift 300 SERIE 0103-0110.cdr

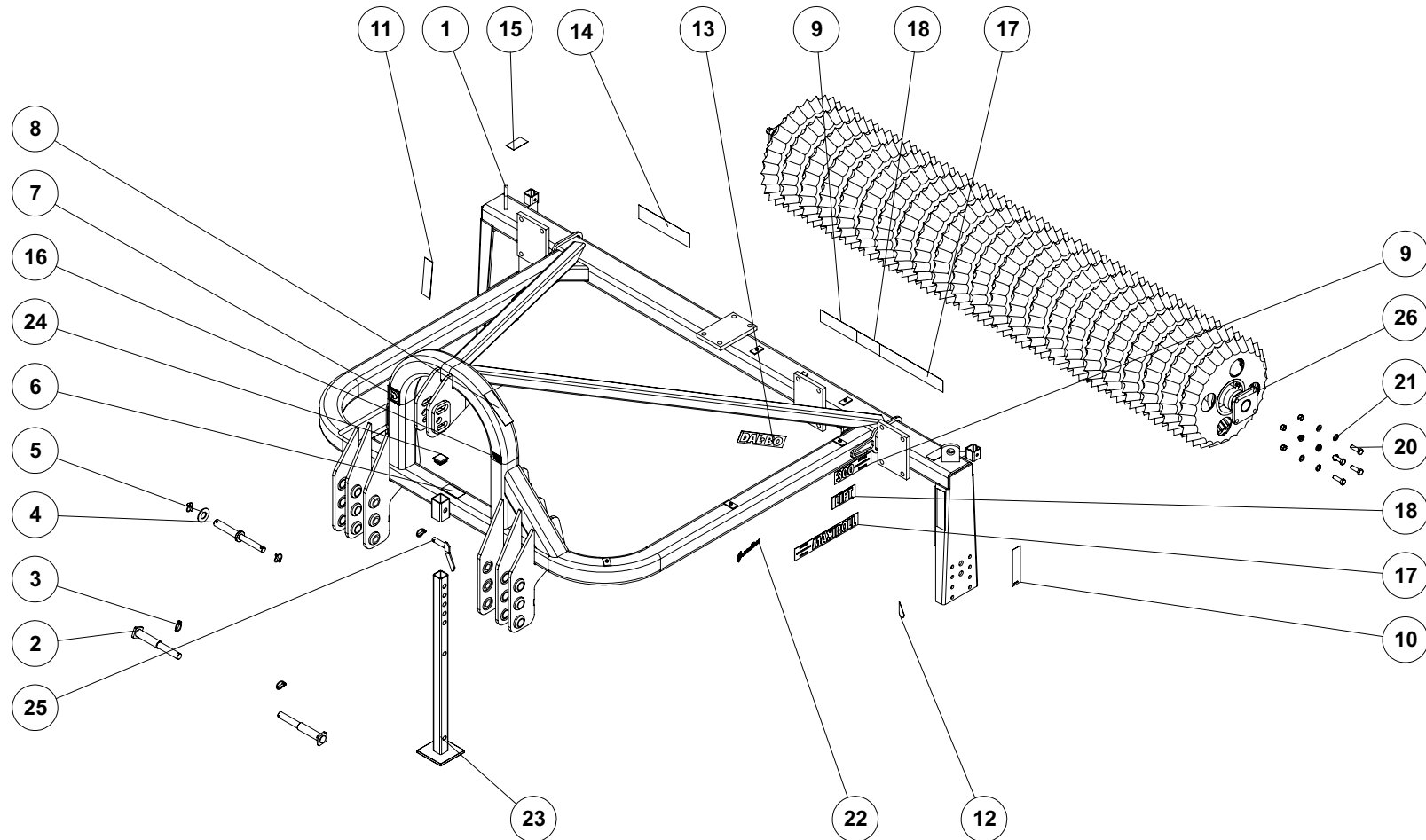
Pos.	Qty.	Part nr.	Benævnelse	Bezeichnung	Description	Designation
1	1	23386	AKSEL Ø60X2940	ACHSE	SHAFT	ARBRE
2	23	18160	CROSS-COMBI Ø500 MM	CROSS-COMBI RING	CROSS-COMBI RING	ANNEAU CROSS-COMBI
3	23	18161	CROSS-COMBI Ø550 MM	CROSS-COMBI RING	CROSS-COMBI RING	ANNEAU CROSS-COMBI
4	2	12334	STOPRING Ø 60 KPL.	ANSCHLAGRING	STOP BUSHING	BAGUE D'ARRÊT
5	2	12391	KOMPLET Y-LEJE FY 50 TL	KOMPLETTES Y-LAGER	COMPLETE Y-BEARING	PALIER-Y COMPLET



DAL•BO - Spare parts - Reservedele - Pieces - Refacciones

MAXIROLL GREENLINE LIFT 300 Ø500 MM CROSS COMBI NO 33840

SPAREPARTS Greenline Lift 300 SERIE 0103-0110.cdr





DAL•BO - Spare parts - Reservedele - Pieces - Refacciones

MAXIROLL GREENLINE LIFT 300 Ø500 MM CROSS COMBI NO 33840

SPAREPARTS Greenline Lift 300 SERIE 0103-0110.cdr

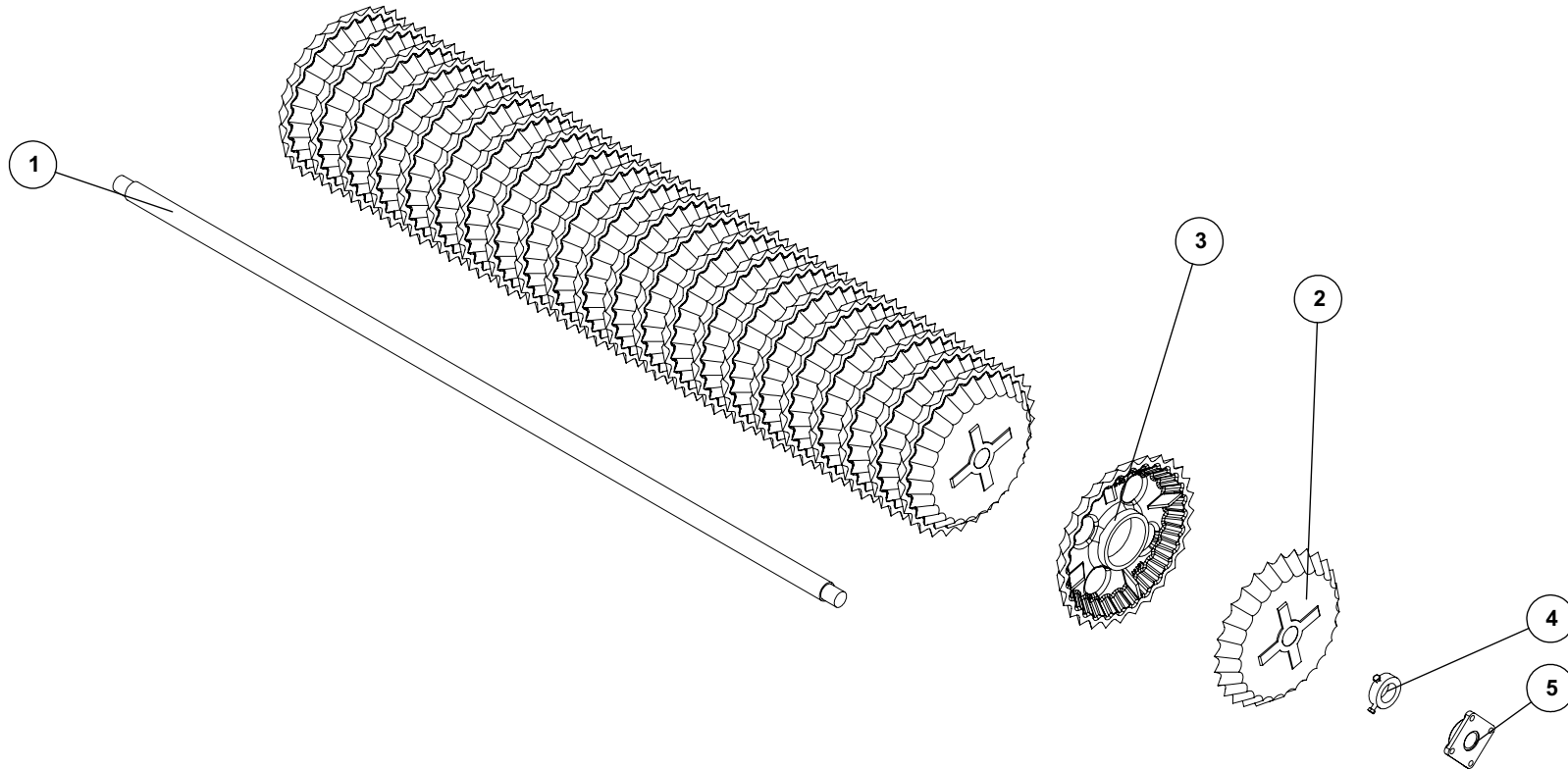
Pos.	Qty.	Part nr.	Benævnelse	Bezeichnung	Description	Designation
1	1	33882	RAMME	RAHME	FRAME	CADRE
2	2	39403	TRÆKNAGLE 28-35 MED FIRKANT	BOLZEN	PIN	AXE
3	5	90680	RINGSPLIT Ø8X40 FLAD	RINGSPLINT	LINCH PIN	GOUPILLE
4	1	39998	TOPSTANGSNAGLE - KAT. II/III	OBERLENKER BOLZEN	TOP LINK PIN	HECKBOLZEN
5	1	90660	SKIVE Ø33-Ø68-4	UNTERLEGSSCHEIBE	WASHER	RONDELLE DE SERRAGE
6	1	90910	TYPESKILT	TYPENSCHILD	IDENTIFICATION PLATE	PLAQUE D'IDENTIFICATION
7	1	90906	TRANSFER "LOGO"	TRANSFER	TRANSFER	TRANSFERT
8	1	90956	EFTERSPÆNDING AF M ØTRIKKER	TRANSFER	TRANSFER	TRANSFERT
9	3	90899	TRANSFERS "300+STREGER"	TRANSFER	TRANSFER	TRANSFERT
10	2	90921	REFLEX JRU 1018 GUL	REFLEX	REFLEX	REFLET
11	2	90922	REFLEX JRU 1019 HVID	REFLEX	REFLEX	REFLET
12	2	90924	TRANSFER "SMØRING - 50 HR"	TRANSFER	TRANSFER	TRANSFERT
13	2	90907	TRANSFER "DALBO"	TRANSFER	TRANSFER	TRANSFERT
14	1	90905	TRANSFER "DAL-BO"	TRANSFER	TRANSFER	TRANSFERT
15	2	90927	TRANSFER "LØFTEKROG"	TRANSFER	TRANSFER	TRANSFERT
16	1	90901	TRANSFER "DAL-BO A/S ADRESSE"	TRANSFER	TRANSFER	TRANSFERT
17	3	90996	TRANSFER "MAXIROLL+STREGER"	TRANSFER	TRANSFER	TRANSFERT
18	3	9146	TRANSFER "LIFT"	TRANSFER	TRANSFER	TRANSFERT
19	8	92051	M ØTRIK M 16 SELVLÅS. GLV.8	MUTTER	NUT	ÉCROU
20	8	92317	BOLT 16X50 MM 8.8 GALV.	SCHRAUBE	SCREW	BOULON
21	16	90643	SKIVE Ø17/Ø29X3 MM	SCHEIBE	WASHER	RONDELLE
22	1	90884	TRANSFER "GREENLINE"	TRANSFER	TRANSFER	TRANSFERT
23	1	33886	STØTTEBEN	STÜTZFUSS (HINTEN)	REAR JACK	BÉQUILLE (DE DERRIÈRE)
24	1	90753	DUPSKO DPE 50 X 50 X 2 - 4 SORT	RÖHRENSTÖPSEL	END CAP	BOUCHON DE TUBE
25	1	22289	NAGLE H Ø20X60(75) S355	BOLZEN	PIN	AXE
26	1	33852	GODS PÅ AKSEL - CROSS COMBI Ø50	SATZ GIESSGUT FÜR DIE WELLEN	METAL SET FOR AXLE	MÉTAL SUR ARBRES



DAL•BO - Spare parts - Reservedele - Pieces - Refacciones

MAXIROLL GREENLINE LIFT 300 Ø500 MM CROSS COMBI NO 33852

SPAREPARTS Greenline Lift 300 SERIE 0103-0110.cdr





DAL•BO - Spare parts - Reservedele - Pieces - Refacciones

MAXIROLL GREENLINE LIFT 300 Ø500 MM CROSS COMBI NO 33852

SPAREPARTS Greenline Lift 300 SERIE 0103-0110.cdr

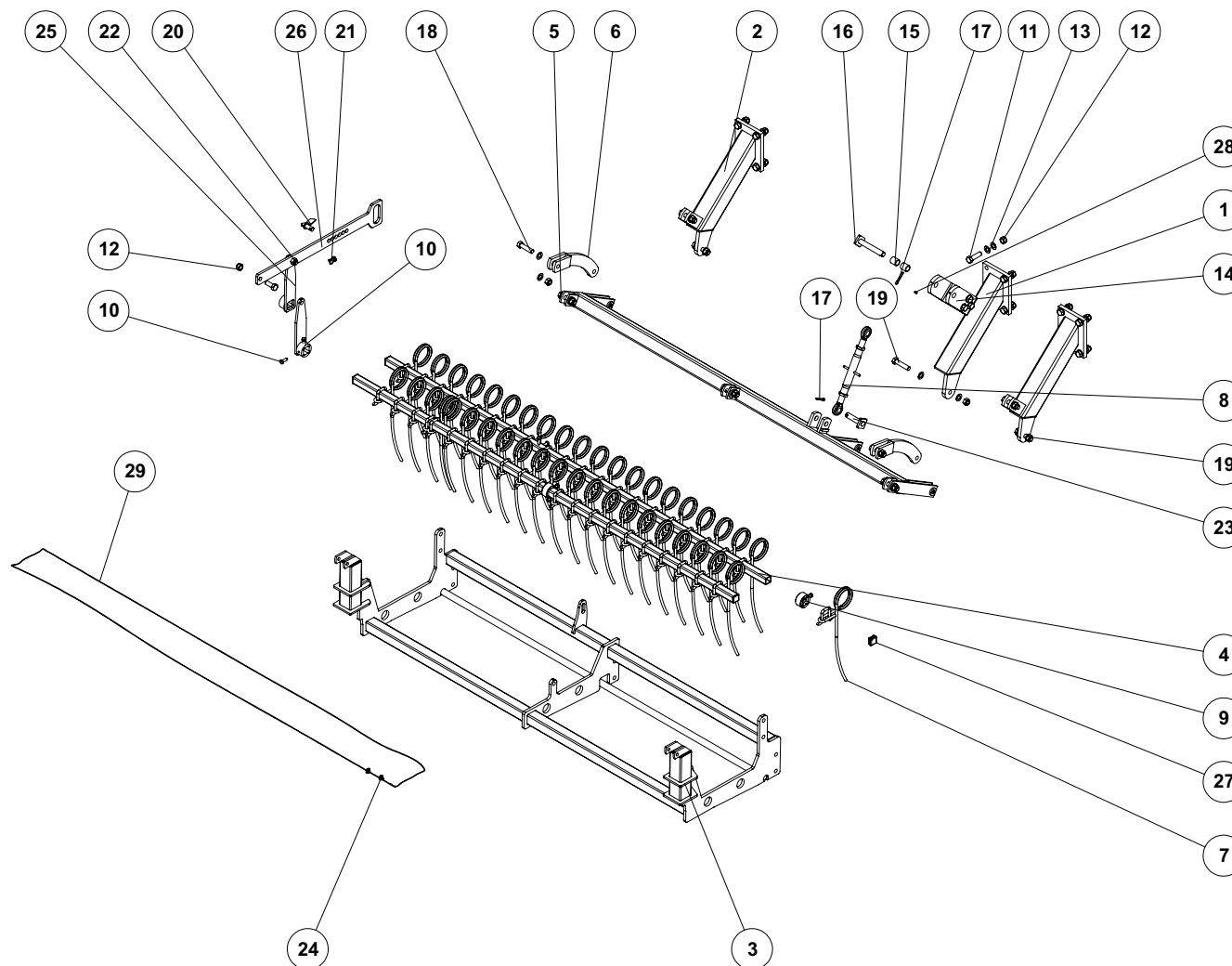
Pos.	Qty.	Part nr.	Benævnelse	Bezeichnung	Description	Designation
1	1	23386	AKSEL Ø60X2940	ACHSE	SHAFT	ARBRE
2	23	18060	CROSS-COMBI Ø450 MM	CROSS-COMBI RING	CROSS-COMBI RING	ANNEAU CROSS-COMBI
3	23	18061	CROSS-COMBI Ø500 MM	CROSS-COMBI RING	CROSS-COMBI RING	ANNEAU CROSS-COMBI
4	2	12334	STOPRING Ø 60 KPL.	ANSCHLAGRING	STOP BUSHING	BAGUE D'ARRÊT
5	2	12391	KOMPLET Y-LEJE FY 50 TL	KOMPLETTES Y-LAGER	COMPLETE Y-BEARING	PALIER-Y COMPLET



DAL•BO - Spare parts - Reservedele - Pieces - Refacciones

MAXIROLL GREENLINE LIFT 300 NO 33844

SPAREPARTS Greenline Lift 300 SERIE 0103-0110.cdr





DAL•BO - Spare parts - Reservedele - Pieces - Refacciones

MAXIROLL GREENLINE LIFT 300 NO 33844

SPAREPARTS Greenline Lift 300 SERIE 0103-0110.cdr

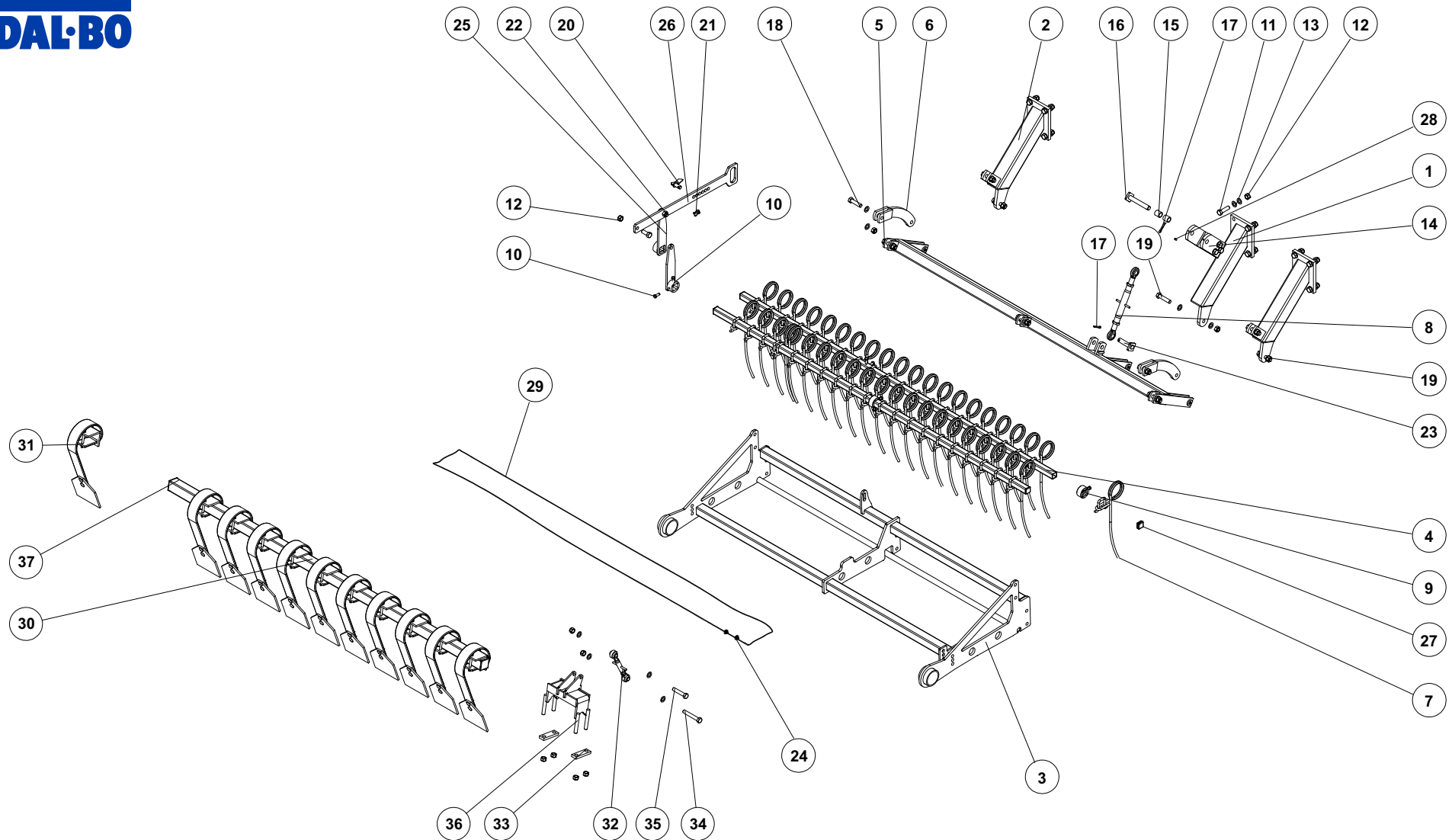
Pos.	Qty.	Part nr.	Benævnelse	Bezeichnung	Description	Designation
1	1	33839	ARM TIL STRIGLE M. CYLINDERFÆSTE	ARM	ARM	BRAS
2	2	33890	ARM TIL STRIGLE U. CYLINDERFÆSTE	ARM	ARM	BRAS
3	1	33845	STRIGLESEKTION	EGGENSEKTION	HARROW SECTION	SECTION DE HERSE
4	2	93015268590L90LX	FIRK-RØR 40X40X4 MM	ROHR	TUBE	TUBE
5	1	33841	NEDERSTE HÆNGSEL	UNTERSTES SCHARNIER, LINKS	BOTTOM HINGE, LEFT	CHARNIÈRE BAS SECTION, GOUCHE
6	2	33497	MELLEMSTYKKE KPL.	ABSTANDS BÜCHSE	SPACER	BAGUE DE DISTANCE
7	42	14808	STRIGLETAND 12 MM - KPL.	ZINKEN	SPRING TINE	DENT DE HERSE
8	1	33984	TOPSTANG L=420/690 MM Ø25 M27	Mini barre complete	Mini Turnbuckle	Mini Oberlenker
9	2	33712	STOPRING FOR FIRK-RØR 40X40	STOPRING	STOP BUSHING	BAGUE D'ARRÊT
10	8	92383	BOLT 12x35 GALV. 8.8 (STOPRINGSBOLT)	SCHRAUBE	COLLAR SCREW	BOULON
11	15	92342	BOLT M20X70 MM 8.8 GALV.	SCHRAUBE	SCREW	BOULON
12	27	92052	MØTRIK M 20 SELVLÅS. GALV. 8	MUTTER SELBSTGESICHERT	SELF-LOCKING NUT	ÉCROU DE SÉCURITÉ
13	51	90671	SKIVE Ø21-Ø37-3	UNTERLEGSCHLEIBE	WASHER	RONDELLE DE SERRAGE
14	1	37907	PLADE TIL CYLINDERFÆSTE - ØVERST	BESCHLAG	MOUNTING PLATE	FIXATION
15	2	93120001890L90LX	DAMP RØR 1" Ø33,7 X Ø25,7	ROHR	TUBE	TUBE
16	1	74315	NAGLE F Ø25X150 (178) MM	BOLZEN	PIN	AXE
17	2	90677	SPLIT 8X50 MM GALV.	SPLINT	SPLIT PIN	GOUPILLE
18	2	92336	BOLT 20 X 80 8.8 GALV.	SCHRAUBE	SCREW	BOULON
19	8	92372	BOLT 20x90 8.8 GALV.	SCHRAUBE	SCREW	BOULON
20	1	33499	NAGLE H Ø20X30 (44)	BOLZEN	PIN	AXE
21	1	90680	RINGSPLIT Ø8X40 FLAD	RINGSPLINT	LINCH PIN	GOUPILLE
22	2	92335	BOLT 20x50 8.8 GALV. (SÆTBOLT)	SCHRAUBE	SET SCREW	BOULON
23	1	90449	NAGLE F Ø25X85(113)	BOLZEN	PIN	AXE
24	3	90702	WIRELÅS 3 MM	DRAHT RIEGEL	WIRE ROPE LOCK	SERRURE DE FIL DE FER
25	2	33590	LANG VINKELFÆSTE KPL.	WINKELBEFESTIGUNG	ANGLE CONNECTOR	FIXATION D'ANGLE
26	1	33625	LANG FORBINDELSSTANG FOR TANDVINKEL	STANGE	BAR	SUPPORT
27	4	90752	DUPSKO DPE DPE 40 15 40 01 SORT	RÖHRENSTÖPSEL	END CAP	BOUCHON DE TUBE
28	2	92412	PINOLSKRUE M 8X10	REITSTOCKSCHRAUBE	SET SCREW	VIS À BOUT POINTU
29	1	90703	3 MM STÅLWIRE	STAHLDRAHT	STEEL WIRE	CÂBLE D'ACIER



DAL•BO - Spare parts - Reservedele - Pieces - Refacciones

MAXIROLL GREENLINE LIFT 300 NO 33641

SPAREPARTS Greenline Lift 300 SERIE 0103-0110.cdr





DAL•BO - Spare parts - Reservedele - Pieces - Refacciones

MAXIROLL GREENLINE LIFT 300 NO 33641

SPAREPARTS Greenline Lift 300 SERIE 0103-0110.cdr

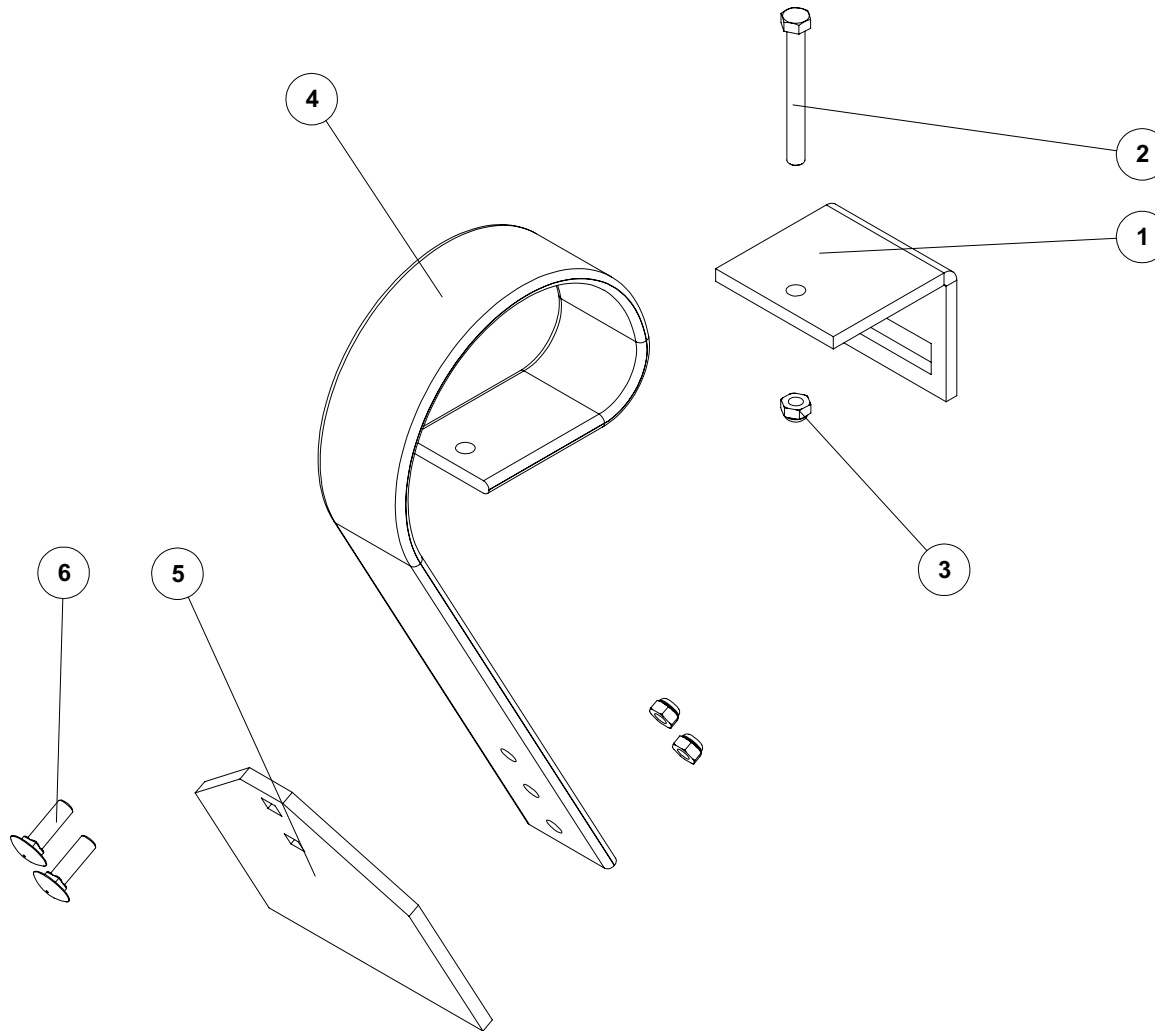
Pos.	Qty.	Part nr.	Benævnelse	Bezeichnung	Description	Designation
1	1	33839	ARM TIL STRIGLE M. CYLINDERFÆSTE	ARM	ARM	BRAS
2	2	33890	ARM TIL STRIGLE U. CYLINDERFÆSTE	ARM	ARM	BRAS
3	1	33586	STRIGLE/LAMELPLANKE	EGGENSEKTION	HARROW SECTION	SECTION DE HERSE
4	2	93015268590L90LX	FIRK-RØR 40X40X4 MM	ROHR	TUBE	TUBE
5	1	33841	NEDERSTE HÆNGSEL	UNTERSTES SCHARNIER, LINKS	BOTTOM HINGE, LEFT	CHARNIÈRE BAS SECTION, GOUCHE
6	2	33497	MELLEM STYKKE KPL.	ABSTANDS BÜCHSE	SPACER	BAGUE DE DISTANCE
7	42	14808	STRIGLETAND 12 MM - KPL.	ZINKEN	SPRING TINE	DENT DE HERSE
8	1	33984	TOPSTANG L=420/690 MM Ø25 M27	Mini barre complete	Mini Turnbuckle	Mini Oberlenker
9	2	33712	STOPRING FOR FIRK-RØR 40X40	STOPRING	STOP BUSHING	BAGUE D'ARRÊT
10	8	92383	BOLT 12x35 GALV. 8.8 (STOPRINGSBOLT)	SCHRAUBE	COLLAR SCREW	BOULON
11	15	92342	BOLT M20X70 MM 8.8 GALV.	SCHRAUBE	SCREW	BOULON
12	27	92052	MØTRIK M 20 SELVLAS. GALV. 8	MUTTER SELBSTGESICHERT	SELF-LOCKING NUT	ÉCROU DE SÉCURITÉ
13	51	90671	SKIVE Ø21-Ø37-3	UNTERLEGSCHLEIBE	WASHER	RONDELLE DE SERRAGE
14	1	37907	PLADE TIL CYLINDERFÆSTE - ØVERST	BESCHLAG	MOUNTING PLATE	FIXATION
15	2	93120001890L90LX	DAMPRØR T Ø33,7 X Ø25,7	ROHR	TUBE	TUBE
16	1	74315	NAGLE F Ø25X150 (178) MM	BOLZEN	PIN	AXE
17	2	90677	SPLIT 8X50 MM GALV.	SPLINT	SPLIT PIN	GOUPILLE
18	2	92336	BOLT 20 X 80 8.8 GALV.	SCHRAUBE	SCREW	BOULON
19	8	92372	BOLT 20x90 8.8 GALV.	SCHRAUBE	SCREW	BOULON
20	1	33499	NAGLE HØ20X30 (44)	BOLZEN	PIN	AXE
21	1	90680	RINGSPLIT Ø 8X40 FLAD	RINGSPLINT	LINCH PIN	GOUPILLE
22	2	92335	BOLT 20x50 8.8 GALV. (SÆTBOLT)	SCHRAUBE	SET SCREW	BOULON
23	1	90449	NAGLE F Ø25X85(113)	BOLZEN	PIN	AXE
24	3	90702	WIRELÅS 3 MM	DRAHT RIEGEL	WIRE ROPE LOCK	SERRURE DE FIL DE FER
25	2	33590	LANG VINKELFÆSTE KPL.	WINKELBEFESTIGUNG	ANGLE CONNECTOR	FIXATION D'ANGLE
26	1	33625	LANG FORBINDELSSTANG FOR TANDVINKEL	STANGE	BAR	SUPPORT
27	4	90752	DUPSKO DPE DPE 40 16 40 01SORT	RÖHRENSTÖPSEL	END CAP	BOUCHON DE TUBE
28	2	92412	PINOLSKRUE M 8X10	REITSTOCKSCHRAUBE	SET SCREW	VIS À BOUT POINTU
29	1	90703	3 MM STÅLWIRE	STAHLDRAHT	STEEL WIRE	CÂBLE D'ACIER
30	1	93030273090L90LX	FIRK-RØR 70X70X4 MM S355	ROHR	TUBE	TUBE
31	11	91684	LAMELTAND 80MM BRED KPL.	CB-ZINKEN KPL. MIT SPITZE	CB - TINE CPL. WITH POINT	DENT DE HERSE ARRIÈRE COURTE AVEC POINTE COURBÉE
32	1	90849	TOPSTANG SVÆR M20X256-350 MM	OBERLENKER	TOP LINK	BARRE
33	2	38618	SPÆNDEPLADE T/CRACKERBOARDFÆSTE	PLATTE	FASTENING PLATE	PLAQUE
34	1	92341	BOLT 20x130 8.8 GALV.	SCHRAUBE	SCREW	BOULON
35	1	92337	BOLT 20x100 8.8 GALV.	SCHRAUBE	SCREW	BOULON
36	1	33588	SPINDEL FÆSTE KPL.	BESCHLAG	MOUNTING PLATE	FIXATION
37	2	90766	DUPSKO RHS 70X70 - 2-4	RÖHRENSTÖPSEL	END CAP	BOUCHON DE TUBE



DAL•BO - Spare parts - Reservedele - Pieces - Refacciones

MAXIROLL GREENLINE LIFT 300 NO 91684

SPAREPARTS Greenline Lift 300 SERIE 0103-0110.cdr





DAL•BO - Spare parts - Reservedele - Pieces - Refacciones

MAXIROLL GREENLINE LIFT 300 NO 91684

SPAREPARTS Greenline Lift 300 SERIE 0103-0110.cdr

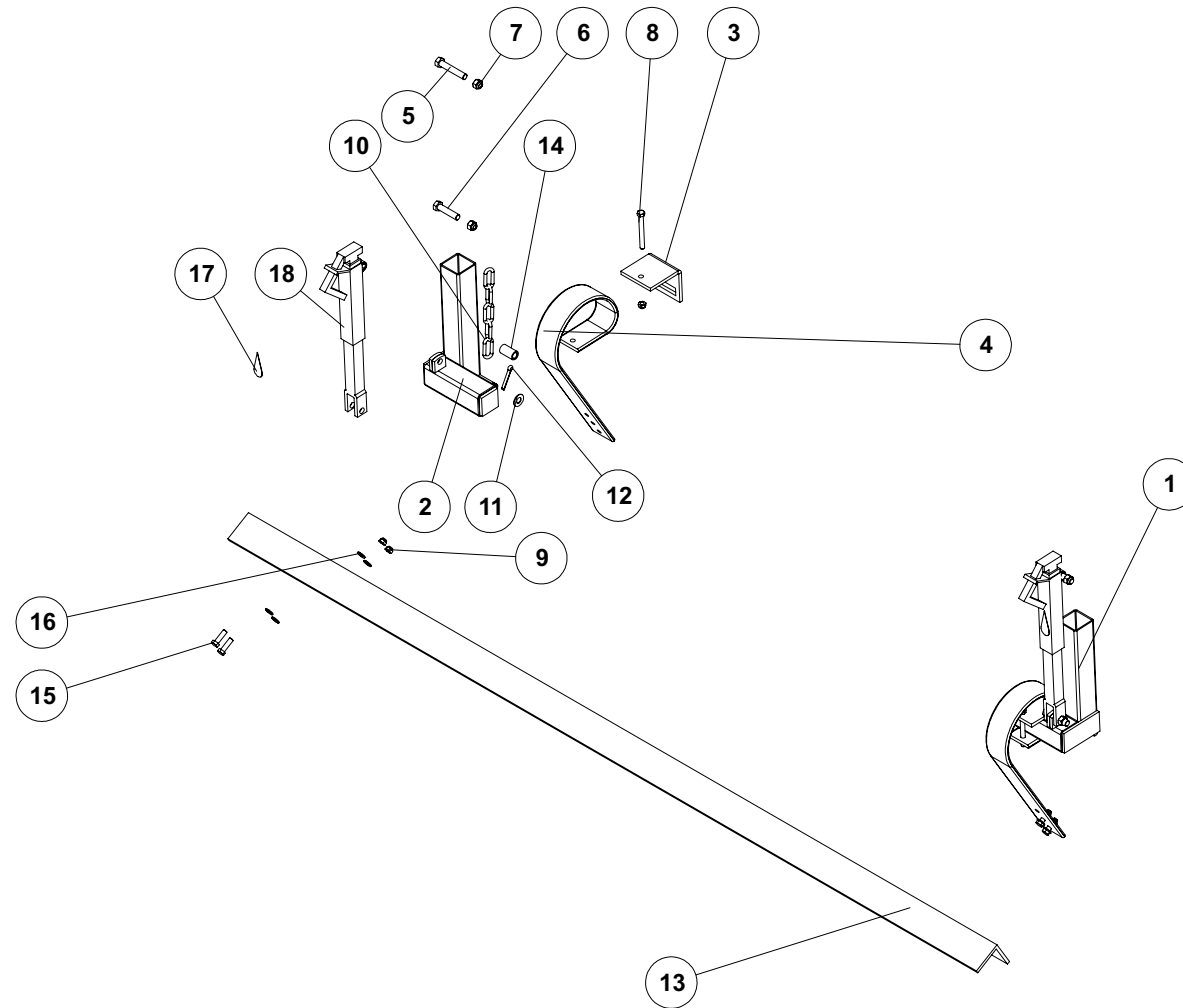
Pos.	Qty.	Part nr.	Benævnelse	Bezeichnung	Description	Designation
1	1	91721	SPÆNDESTYKKE 10 MM TIL 80 MM TAND	SPANNSTÜCK	PLATE	PIÈCE DE SERRAGE
2	1	92303	BOLT 12x110 8.8 GALV.	SCHRAUBE	SCREW	BOULON
3	3	92050	MØTRIK M 12 SELVLÅS. GALV. 8.8	MUTTER SELBSTSCHLIESSEND	SELFLOCKING NUT	ÉCROU DE SÉCURITÉ
4	1	91707	LAMELTAND LANG 3 HULS 80MM BRED	CB-ZINKEN	CB - TINE	DENT DE CB
5	1	91739	SLIDDEL LIGE 200X10 - LUKKET	SPTTZE GEBOGEN	CB POINT	POINT
6	2	92391	BOLT 12X40 GALV. (BRÆDDEBOLT)	SCHRAUBE	BOARD BOLT	BOULON



DAL•BO - Spare parts - Reservedele - Pieces - Refacciones

MAXIROLL GREENLINE LIFT 300 NO 33843

SPAREPARTS Greenline Lift 300 SERIE 0103-0110.cdr





DAL•BO - Spare parts - Reservedele - Pieces - Refacciones

MAXIROLL GREENLINE LIFT 300 NO 33843

SPAREPARTS Greenline Lift 300 SERIE 0103-0110.cdr

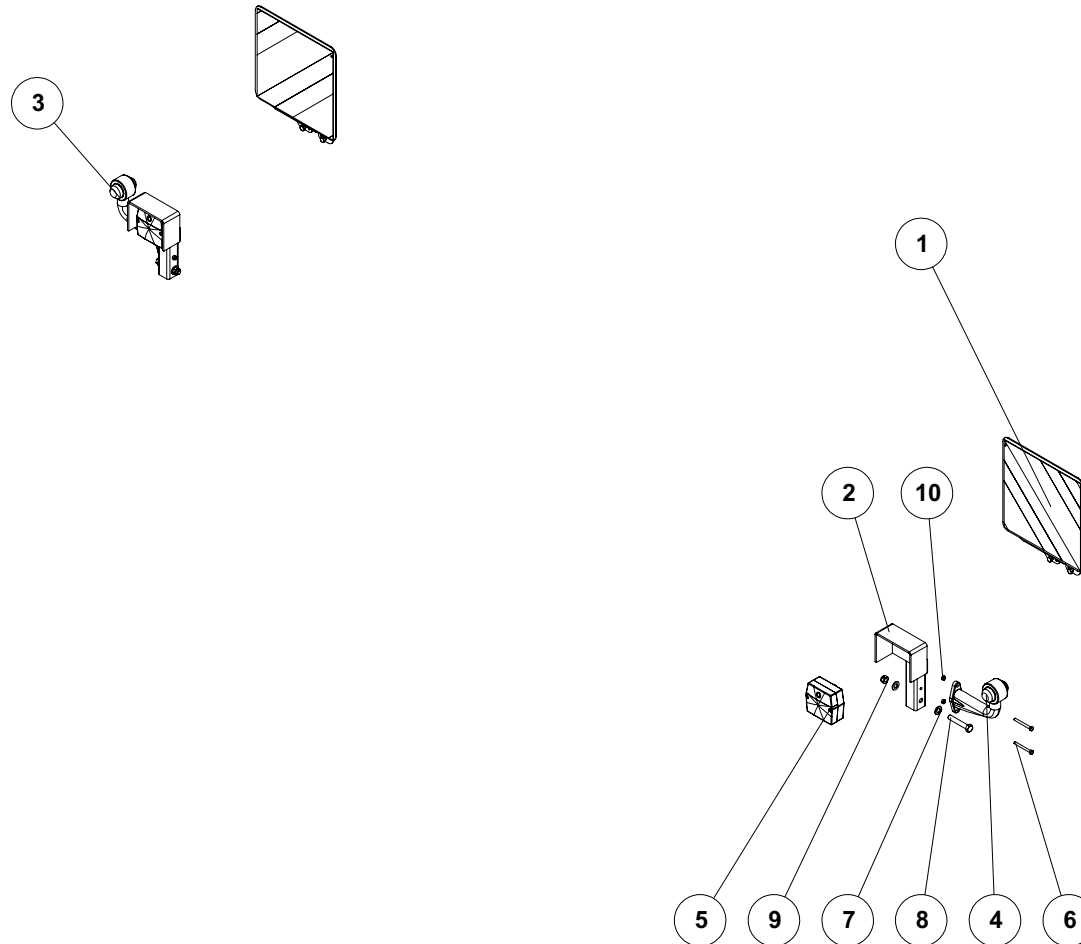
Pos.	Qty.	Part nr.	Benævnelse	Bezeichnung	Description	Designation
1	1	37348	HAN-PART VENSTRE	ARM, LINKS	ARM, LEFT	BRAS, GAUCHE
2	1	37349	HAN-PART HØJRE	ARM, RECHTS	ARM, RIGHT	BRAS, DROITE
3	2	91721	SPÆNDESTYKKE 10 MM TIL 80 MM TAND	SPANNSTÜCK	PLATE	PIÈCE DE SERRAGE
4	2	91707	LAMELTAND LANG 3 HULS 80MM BRED	CB-ZINKEN	CB - TINE	DENT DE CB
5	2	92321	BOLT 16X90 MM 8.8 GALV.	SCHRAUBE	SCREW	BOULON
6	2	92319	BOLT 16X70 MM 8.8 GALV.	SCHRAUBE	SCREW	BOULON
7	4	92051	M ØTRIK M 16 SELVLÅS. GLV. 8	MUTTER	NUT	ÉCROU
8	2	92303	BOLT 12x110 8.8 GALV.	SCHRAUBE	SCREW	BOULON
9	6	92050	M ØTRIK M 12 SELVLÅS. GALV. 8.8	MUTTER SELBSTSCHLIESSEND	SELFLOCKING NUT	ÉCROU DE SÉCURITÉ
10	2	37281	KÆDE 8MM TIL MULDVARPEPLANKE	KETTE	CHAIN	CHAÎNE
11	2	90663	SKIVE Ø17/Ø35X2 MM	SCHEIBE	WASHER	RONDELLE
12	2	90677	SPLIT 8X50 MM GALV.	SPLINT	SPLIT PIN	GOUPILLE
13	1	33842	MULDVARPEPLANKE 2800 MM	PLANIERSCHIENE	LEVELLING BAR	NIVELEUSE
14	2	39846	BØSNING FOR CYLINDER	BUCHSE	BUSHING	DOUILLE
15	4	92296	BOLT 12x40 8.8 GALV.	SCHRAUBE	SCREW	BOULON
16	8	90669	SKIVE Ø13-Ø24-2,5	UNTERLEGSCHIEBE	WASHER	RONDELLE DE SERRAGE
17	2	90925	TRANSFER "SM ØRING - 8 HR"	TRANSFER	TRANSFER	TRANSFERT
18	2	21465	SPINDEL SHF 6-01	SPINDEL	SPINDLE	FUSEAU



DAL•BO - Spare parts - Reservedele - Pieces - Refacciones

MAXIROLL GREENLINE LIFT 300 NO 33879

SPAREPARTS Greenline Lift 300 SERIE 0103-0110.cdr





DAL•BO - Spare parts - Reservedele - Pieces - Refacciones

MAXIROLL GREENLINE LIFT 300 NO 33879

SPAREPARTS Greenline Lift 300 SERIE 0103-0110.cdr

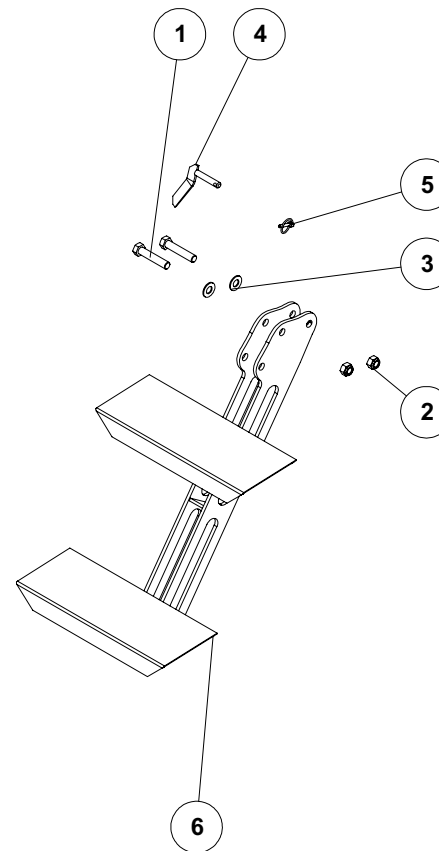
Pos.	Qty.	Part nr.	Benævnelse	Bezeichnung	Description	Designation
1	1	75901	WARNTAFEL, KOMPLET	WARNTAFEL, KOMPLETT	WARNTAFEL, COMPLETE	WARNTAFEL, COMPLET
2	2	71454	LYGTESTANDER FÆLLES	LEUCHTSTÄNDER	LIGHT STAND	BÂTON DES LUMIÈRES
3	1	89415	MARKERINGSLYS VENSTRE 0,25M, BAJONET	LEUCHTE LINKS	MARKING LIGHTS, LEFT	LUMIÈRE DE SIGNALISATION GAUCHE
4	1	89416	MARKERINGSLYS HØJRE 0,25M, BAJONET	LEUCHTE RECHTS	MARKING LIGHTS, RIGHT	LUMIÈRE DE SIGNALISATION DROITE
5	2	89400	BAGLYGTE MINIPONT U/NR.PL.LYS	RÜCKLICHT	MINIPONT BACKLIGHTS W/OUT LICENSE PLATE LIGHT	PHARE ARRIÈRE
6	4	92254	BOLT 6x60 8.8 GALV.	SCHRAUBE	BOARD BOLT. INCL. NUT	BOULON
7	4	90669	SKIVE Ø13-Ø24-2,5	UNTERLEGSCHIEBE	WASHER	RONDELLE DE SERRAGE
8	2	92299	BOLT 12x70 8.8 GALV.	SCHRAUBE	SCREW	BOULON
9	2	92050	MØTRIK M 12 SELVLÅS. GALV. 8.8	MUTTER SELBSTSCHLIESSEND	SELFLOCKING NUT	ÉCROU DE SÉCURITÉ
10	4	92027	MØTRIK M 6 GALV. kl. 8	MUTTER	NUT	ÉCROU



DAL•BO - Spare parts - Reservedele - Pieces - Refacciones

MAXIROLL GREENLINE LIFT 300 NO 33977

SPAREPARTS Greenline Lift 300 SERIE 0103-0110.cdr





DAL•BO - Spare parts - Reservedele - Pieces - Refacciones

MAXIROLL GREENLINE LIFT 300 NO 33977

SPAREPARTS Greenline Lift 300 SERIE 0103-0110.cdr

Pos.	Qty.	Part nr.	Benævnelse	Bezeichnung	Description	Designation
1	2	92337	BOLT 20x100 8.8 GALV.	SCHRAUBE	SCREW	BOULON
2	2	92052	MØTRIK M 20 SELVLÅS. GALV. 8	MUTTER SELBSTGESICHERT	SELF-LOCKING NUT	ÉCROU DE SÉCURITÉ
3	4	90664	SPÆND. SKIVE Ø42 X Ø21X 3	UNTERLEGSCHIEBE	SEALING WASHER	RONDELLE DE SERRAGE
4	1	39347	NAGLE H Ø16 X 71,5 (85)	BOLZEN	PIN	AXE
5	1	90680	RINGSPLIT Ø 8X40 FLAD	RINGSPLINT	LINCH PIN	GOUPILLE
6	1	33958	TRINBRÆT SVEJSETEGNING	PLATTFORM	PLATFORM	PALIER



DAL•BO - Spare parts - Reservedele - Pieces - Refacciones

MAXIROLL GREENLINE LIFT 300 NO 33972

SPAREPARTS Greenline Lift 300 SERIE 0103-0110.cdr

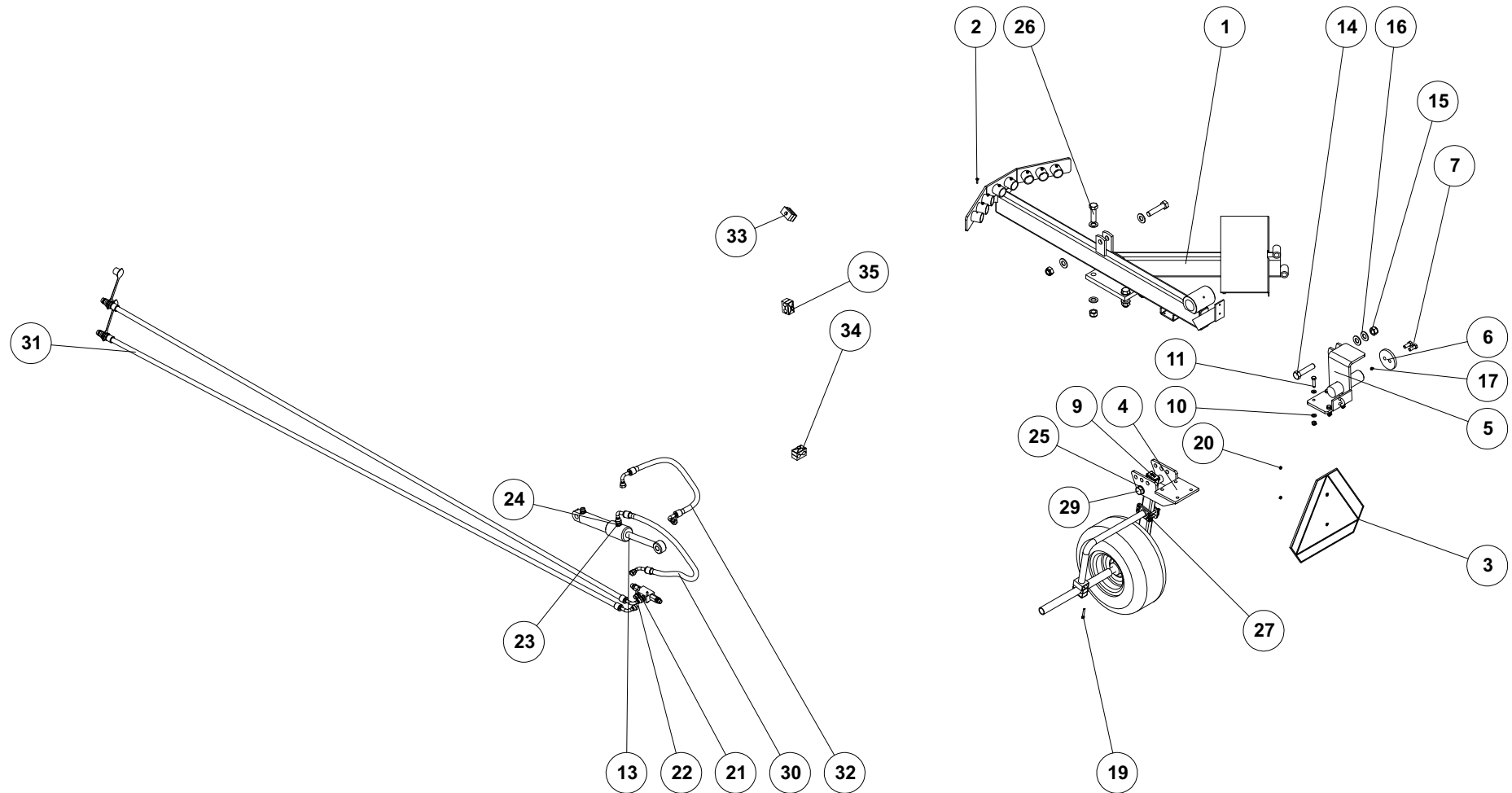
Pos.	Qty.	Part nr.	Benævnelse	Bezeichnung	Description	Designation
1	1	37411	HYDRAULIK TIL SÅHJUL - EINBÖCK	RAD GESTELL HYDRAULIK	WHEEL FRAME HYDRAULIC	CADRE DE ROUE, HYDRAULIQUE
2	1	37934	ARM TIL SÅHJUL	ARM	ARM	BRAS
3	1	33885	OPHÆNGSKONSOL, HJUL PÅ MARK	AUFHÄNGUNG	LINKAGE	SUSPENSION
4	1	37921	VIPPEARM FOR HJULOPHÆNG KPL.	WIPPARM	ROCKER ARM	BRAS BASCULANTE
5	4	90664	SPÆND. SKIVE Ø42 X Ø21 X 3	UNTERLEGSCHIEBE	SEALING WASHER	RONDELLE DE SERRAGE
6	8	92387	PLADESKRUE PH Ø 4.8 X 19	SCHRAUBE	PLATE SCREW	VIS DE PLAQUE
7	4	92275	BOLT 10x40 8.8 GALV.	SCHRAUBE	SCREW	BOULON
8	4	92049	MØTRIK M 10 SELVLÅS. GLV.8	MUTTER	SELF-LOCKING NUT	ÉCROU
9	8	90668	SKIVE Ø10,5/Ø20X2 MM	UNTERLEGSCHIEBE	WASHER	RONDELLE DE SERRAGE
10	1	90721	SMØRENIPPEL LIGE M 8x11 MM	SCHMIERNIPPEL	GREASE NIPPLE	GRAISSEUR
11	1	90092	SKIVE TIL 50 MM AKSELENDE	SCHIEBE	WASHER	RONDELLE
12	2	92295	BOLT 12x30 8.8 GALV. (SÆTBOLT)	SCHRAUBE	SET SCREW	BOULON
13	2	92372	BOLT 20x90 8.8 GALV.	SCHRAUBE	SCREW	BOULON
14	7	92052	MØTRIK M 20 SELVLÅS. GALV. 8	MUTTER SELBSTGESICHERT	SELF-LOCKING NUT	ÉCROU DE SÉCURITÉ
15	10	90671	SKIVE Ø21-Ø37-3	UNTERLEGSCHIEBE	WASHER	RONDELLE DE SERRAGE
16	1	92603	BOLT 20x160 8.8 GALV.	SCHRAUBE	SCREW	BOULON
17	4	92317	BOLT 16X50 MM 8.8 GALV.	SCHRAUBE	SCREW	BOULON
18	4	92051	MØTRIK M 16 SELVLÅS. GLV.8	MUTTER	NUT	ÉCROU
19	8	90663	SKIVE Ø17/Ø35X2 MM	SCHIEBE	WASHER	RONDELLE
20	1	34224	ADVARSELSREFLEKS KPL., STOR	WARN DREIECK	WARNING TRIANGLE	ÉCRITEAU AVERTISSEUR
21	2	18-008	DUPSKO 50X30 MM	RÖHRENSTÖPSEL	END CAP	BOUCHON DE TUBE
22	4	92342	BOLT M 20X70 MM 8.8 GALV.	SCHRAUBE	SCREW	BOULON
23	3	91308	DÆKPLADE T/SLANGEHOLDER	DECKPLATTE FÜR DEN SCHLAUCHHALTER	COVER FOR HOSE CLAMP	DESSUS POUR SUPPORT-TUYAU
24	3	91307	BOLT 8x35 8.8 T/SLANGEHOLDER GALV.	SCHRAUBE FÜR SCHLAUCHHALTER	HOSE CLAMP SCREW	BOULON POUR SUPPORT TUYAU
25	6	91305	PLASTKLAMME 3/8" DB	PLASTIK KLAMMER	PLASTIC HOSE CLAMP	CROCHET EN PLASTIQUE
27	2	92252	BOLT 6x45 8.8 GALV.	SCHRAUBE	SCREW	BOULON
28	4	92268	BOLT 8X 60 8.8 GLV.	SCHRAUBE	SCREW	BOULON
29	4	92048	MØTRIK M 8 SELVLÅS. GLV.8	MUTTER	SELF-LOCKING NUT	ÉCROU



DAL•BO - Spare parts - Reservedele - Pieces - Refacciones

MAXIROLL GREENLINE LIFT 300 NO 33979

SPAREPARTS Greenline Lift 300 SERIE 0103-0110.cdr





DAL•BO - Spare parts - Reservedele - Pieces - Refacciones

MAXIROLL GREENLINE LIFT 300 NO 33979

SPAREPARTS Greenline Lift 300 SERIE 0103-0110.cdr

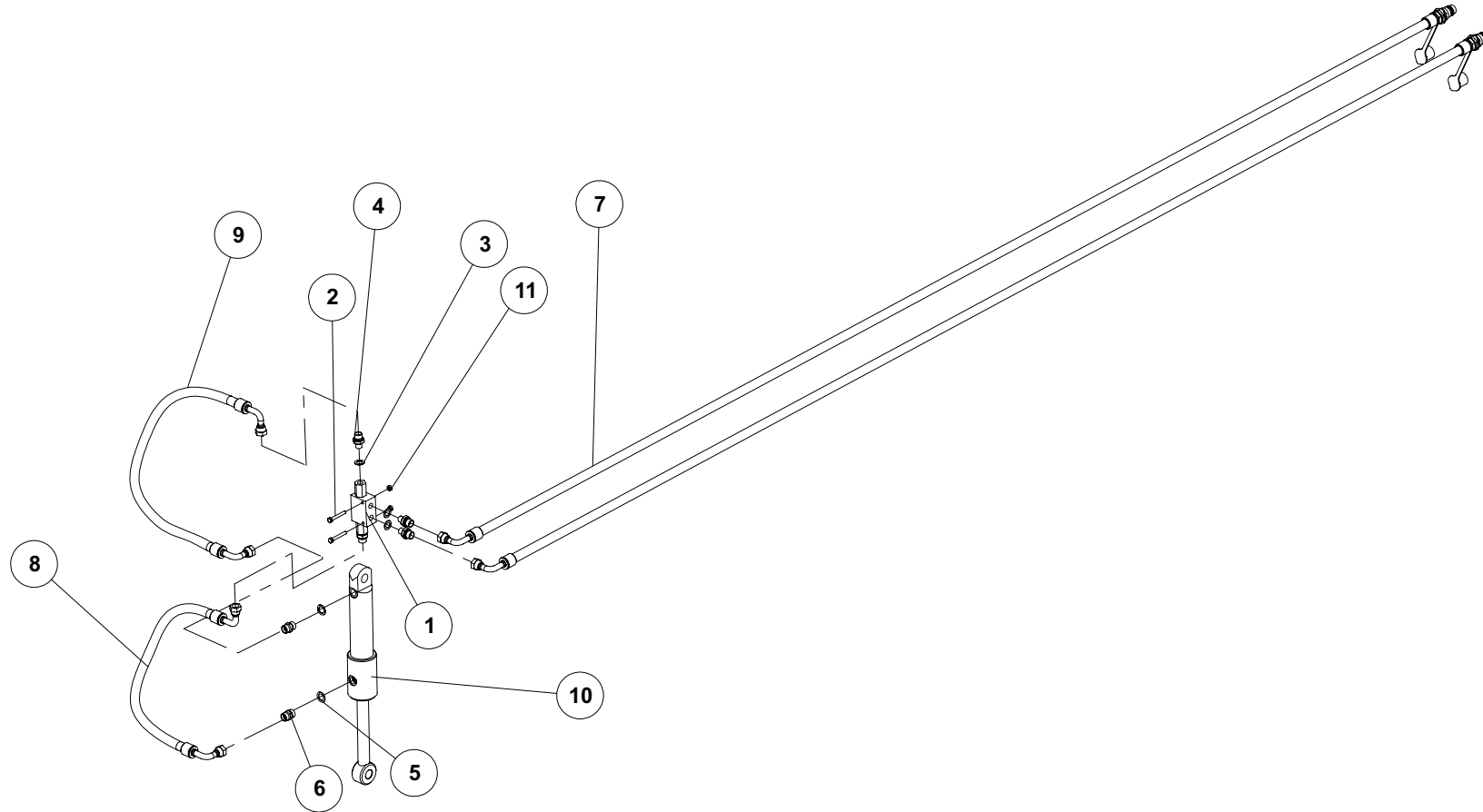
Pos.	Qty.	Part nr.	Benævnelse	Bezeichnung	Description	Designation
1	1	33884	OPHÆNG, HJUL PÅ VALSE	AUFHÄNGUNG	LINKAGE	SUSPENSION
2	8	92387	PLADESKRUE PH Ø 4.8X19	SCHRAUBE	PLATE SCREW	VIS DE PLAQUE
3	1	34224	ADVARSLSREFLEKS KPL., STOR	WARN DREIECK	WARNING TRIANGLE	ECRITEAU AVERTISSEUR
4	1					
5	1	33835	VIPPEARM FOR HJULOPHÆNG KPL.	WIPPARM	ROCKER ARM	BRAS BASCULANTE
6	1	90092	SKIVE TIL 50 MM AKSELENDE	SCHEIBE	WASHER	RONDELLE
7	2	92295	BOLT 12x30 8.8 GALV. (SÆTBOLT)	SCHRAUBE	SET SCREW	BOULON
8	1					
9	2	18-008	DUPSKO 50X30 MM	RÖHRENSTÖPSEL	END CAP	BOUCHON DE TUBE
10	8	90668	SKIVE Ø10,5/Ø20X2 MM	UNTERLEGSSCHEIBE	WASHER	RONDELLE DE SERRAGE
11	4	92275	BOLT 10x40 8.8 GALV.	SCHRAUBE	SCREW	BOULON
12	4	92049	M ØTRIK M 10 SELVLÅS. GLV. 8	MUTTER	SELF-LOCKING NUT	ÉCROU
13	1	21205	CYLINDER SNH21-AD-40/25X150-A	ZYLINDER	CYLINDER	VERRIN
14	2	92372	BOLT 20x90 8.8 GALV.	SCHRAUBE	SCREW	BOULON
15	7	92052	M ØTRIK M 20 SELVLÅS. GALV. 8	MUTTER SELBSTGESICHERT	SELF-LOCKING NUT	ÉCROU DE SÉCURITÉ
16	4	90664	SPÆND. SKIVE Ø42 X Ø21X 3	UNTERLEGSSCHEIBE	SEALING WASHER	RONDELLE DE SERRAGE
17	1	90721	SM ØRENIPPEL LIGE M 8x1MM	SCHM IERNIPPEL	GREASE NIPPLE	GRAISSEUR
18	1	51311	PILOTSTYRET KONTRAVENTIL 1/4 - DOBBELT	PILOTGESTEUERTES SPERRVENTIL DOPPELT	PILOT-OPERATED CHECK VALVE, DOUBLE	CLAPET DE BLOCAGE PILOTE DOUBLE
19	4	92252	BOLT 6x45 8.8 GALV.	SCHRAUBE	SCREW	BOULON
20	4	92027	M ØTRIK M 6 GALV. kl. 8	MUTTER	NUT	ÉCROU
21	4	91027	1/4" BONDED SEALS PAKRING	BONDED SEALS PAKRING	BONDED SEAL WASHER	JOINT BONDED SEALS
22	4	91000	BRYSTNIPPEL 1/4" RG / 3/8" RG GALV	VERSCHRAUBUNG	HEXAGON NIPPLE CONNECTOR	RACCORD DE JONCTIONS MÂLES
23	2	91028	3/8" BONDED SEALS PAKRING	BONDED SEALS PAKRING	BONDED SEAL WASHER	JOINT BONDED SEALS
24	2	91002	BRYSTNIPPEL 3/8" RG / 3/8" RG GALV	VERSCHRAUBUNG	HEXAGON NIPPLE CONNECTOR	RACCORD DE JONCTIONS MÂLES
25	10	90671	SKIVE Ø21-Ø37-3	UNTERLEGSSCHEIBE	WASHER	RONDELLE DE SERRAGE
26	4	92342	BOLT M20X70 MM 8.8 GALV.	SCHRAUBE	SCREW	BOULON
27	4	92268	BOLT 8X 60 8.8 GLV.	SCHRAUBE	SCREW	BOULON
28	4	92048	M ØTRIK M 8 SELVLÅS. GLV. 8	MUTTER	SELF-LOCKING NUT	ÉCROU
29	1	92603	BOLT 20x160 8.8 GALV.	SCHRAUBE	SCREW	BOULON
30	1	37414	SLANGE VINKEL 3/8" VINKEL 3/8" L=500 MM	SCHLAUCH	HOSE	TUYAU
31	2	37412	SLANGE HAN + VINKEL 3/8" L=6700 MM	SCHLAUCH	HOSE	TUYAU
32	1	37413	SLANGE VINKEL 3/8" VINKEL 3/8" L=400 MM	SCHLAUCH	HOSE	TUYAU
33	6	91305	PLASTKLAMME 3/8" DB	PLASTIK KLAMMER	PLASTIC HOSE CLAMP	CROCHET EN PLASTIQUE
34	3	91308	DÆKPLADE T/SLANGEHOLDER	DECKPLATTE FÜR DEN SCHLAUCHHALTER	COVER FOR HOSE CLAMP	DESSUS POUR SUPPORT-TUYAU
35	3	91307	BOLT 8x35 8.8 T/SLANGEHOLDER GALV.	SCHRAUBE FÜR SCHLAUCHHALTER	HOSE CLAMP SCREW	BOULON POUR SUPPORT TUYAU



DAL·BO - Spare parts - Reservedele - Pieces - Refacciones

MAXIROLL GREENLINE LIFT 300 NO 37411

SPAREPARTS Greenline Lift 300 SERIE 0103-0110.cdr





DAL•BO - Spare parts - Reservedele - Pieces - Refacciones

MAXIROLL GREENLINE LIFT 300 NO 37411

SPAREPARTS Greenline Lift 300 SERIE 0103-0110.cdr

Pos.	Qty.	Part nr.	Benævneelse	Bezeichnung	Description	Designation
1	1	51311	PILOTSTYRET KONTRAVENTIL 1/4 - DOBBELT	PILOTGESTEUERTES SPERRVENTIL DOPPELT	PILOT-OPERATED CHECK VALVE, DOUBLE	CLAPET DE BLOPAGE PILOTE DOUBLE
2	2	92252	BOLT 6x45 8.8 GALV.	SCHRAUBE	SCREW	BOULON
3	4	91027	1/4" BONDED SEALS PAKRING	BONDED SEALS PACKRING	BONDED SEAL WASHER	JOINT BONDED SEALS
4	4	91000	BRYSTNIPPEL 1/4" RG / 3/8" RG GALV	VERSCHRAUBUNG	HEXAGON NIPPLE CONNECTOR	RACCORD DE JONCTIONS MÂLES
5	2	91028	3/8" BONDED SEALS PAKRING	BONDED SEALS PACKRING	BONDED SEAL WASHER	JOINT BONDED SEALS
6	2	91002	BRYSTNIPPEL 3/8" RG / 3/8" RG GALV	VERSCHRAUBUNG	HEXAGON NIPPLE CONNECTOR	RACCORD DE JONCTIONS MÂLES
7	2	37412	SLANGE HAN + VINKEL 3/8" L=6700 MM	SCHLAUCH	HOSE	TUYAU
8	1	37413	SLANGE VINKEL 3/8" VINKEL 3/8" L=400 MM	SCHLAUCH	HOSE	TUYAU
9	1	37414	SLANGE VINKEL 3/8" VINKEL 3/8" L=500 MM	SCHLAUCH	HOSE	TUYAU
10	1	21205	CYLINDER SNH21-AD-40/25X150-A	ZYLINDER	CYLINDER	VERRIN
11	2	92027	MØTRIK M6 GALV. kl. 8	MUTTER	NUT	ÉCROU